

### 【DSHG-03/04/06/10】

#### ※SPECIFICATION

Model	Max. Flow (ℓ/min)/(U.S.GPM)	Max. Pressure (MPa)/(PSI)	Pilot Pressure (MPa)/(PSI)	Weight (kg)
DSHG-03	150(39.6)	31.5(4570)	25(3630)	5.4
DSHG-04	300(79.3)	31.5(4570)	25(3630)	6.2
DSHG-04-AB				8
DSHG-06	500(132)	31.5(4570)	25(3630)	12
DSHG-06-AB				14
DSHG-10	1100(291)	31.5(4570)	25(3630)	50
DSHG-10-AB				51.5



A

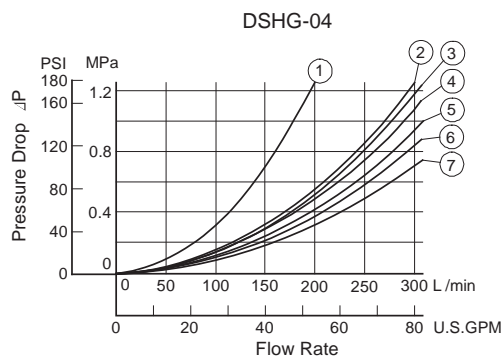
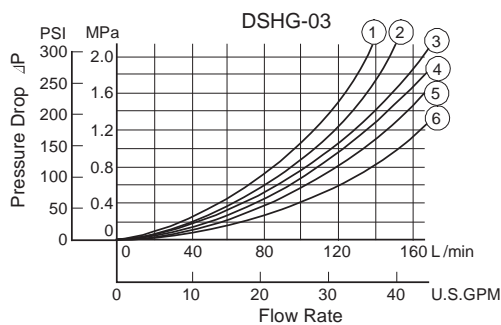
#### ※ACCESSORIES

Model	Socket Head Screw Cap				O Ring (JIS B 2401-1B)				
	European Design Std.		North America Design Std.						
DSHG-03	M6 x 40 Lg.		1/4-20 UNC x 1-1/2 Lg.		4	Pcs	P12	5	Pcs
DSHG-04-(AB)	M6 x 45 Lg.		1/4-20 UNC x 1-3/4 Lg.		2	Pcs	P9	2	Pcs
	M10 x 50 Lg.		3/8-16 UNC x 2 Lg.		4	Pcs	P22A	4	Pcs
DSHG-06-(AB)	M12 x 60 Lg.		1/2-13 UNC x 2-1/2 Lg.		6	Pcs	P14	2	Pcs
							P32	4	Pcs
DSHG-10-(AB)	M20 x 75 Lg.		3/4-10 UNC x 3 Lg.		6	Pcs	P20	2	Pcs
							P42	4	Pcs

#### ※MODEL NUMBER DESIGNATION

DSHG	04	3C60	AB	(E)	(T)	(90)
SERIES NO.	VALVE SIZE 03 : ISO 4401-05, CETOP5, NFPA-D05 04: ISO 4401-07, CETOP7, NFPA-D07 06: ISO 4401-08, CETOP8, NFPA-D08 10: ISO 4401-10, CETOP10, NFPA-D10	SPOOL TYPE	ADJ. HANDHOLD	E:EXTERNAL PILOT OMIT:INTERNAL PILOT	T:INTERNAL DRAIN OMIT:EXTERNAL DRAIN	DESIGN NO. OMIT: DIN 912 BOLTS 90: UNC BOLTS (NORTH AMERICA)

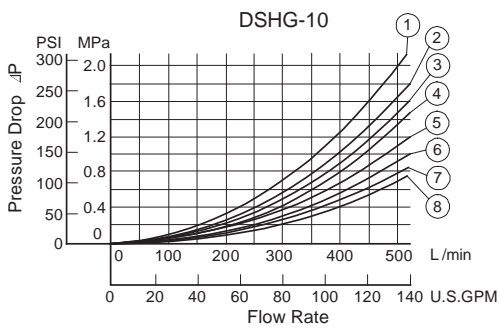
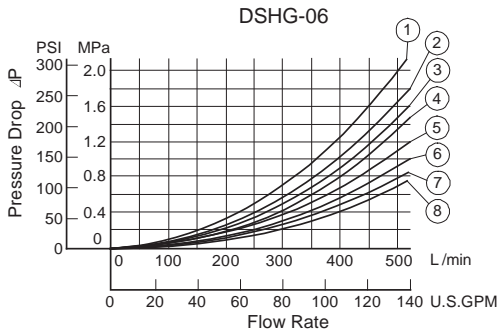
#### ※PERFORMANCE CURVE



Spool Type	Pressure Drop Curve Numbers				
	P→A	B→T	P→B	A→T	P→T
2	3	3	4	4	---
3	5	5	5	6	4
4	3	5	4	6	---
40	3	3	4	4	---
5	6	3	4	6	2
60	3	3	4	4	1
7	3	3	4	4	---
9	6	3	6	4	---
10	3	5	4	4	---
11	6	3	4	4	---
12	3	3	4	6	---

Spool Type	Pressure Drop Curve Numbers				
	P→A	B→T	P→B	A→T	P→T
2	5	4	5	6	---
3	5	3	5	5	7
4	5	3	5	5	---
40	5	4	5	6	---
5	7	4	5	5	5
6	5	3	5	6	1
60	7	5	7	7	2
7	5	4	5	6	---
9	5	4	5	6	---
10	5	2	5	6	---
11	6	4	5	6	---
12	5	4	5	5	---

A

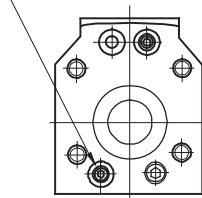


Spool Type	Pressure Drop Curve Numbers				
	P→A	B→T	P→B	A→T	P→T
2	8	5	8	7	---
3	6	4	6	7	4
4	8	5	8	7	---
40	8	5	8	7	---
5	8	4	5	7	1
6	5	3	5	4	1
60	6	5	6	7	1
7	6	4	6	7	---
9	6	4	6	7	---
10	8	5	8	7	---
11	8	4	5	7	---
12	8	5	8	7	---

Spool Type	Pressure Drop Curve Numbers				
	P→A	B→T	P→B	A→T	P→T
2	9	6	9	8	---
3	7	6	7	7	5
4	9	6	9	6	---
40	9	6	9	8	---
5	9	6	8	6	1
6	5	3	5	4	2
60	8	5	8	5	2
7	7	6	7	7	---
9	7	6	7	8	---
10	9	5	9	8	---
11	9	6	8	7	---
12	9	7	9	6	---

※FUNCTION DESCRIPTION

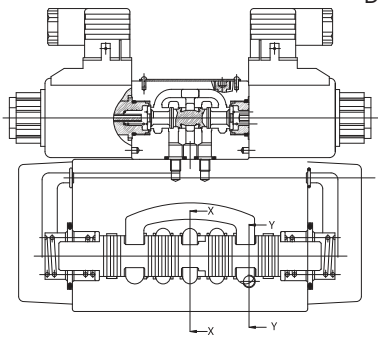
DSHG-03 Pipe plug Removed for internal pilot



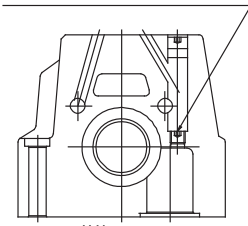
Pipe plug Removed for internal drain



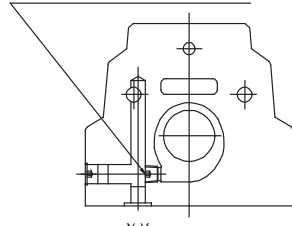
DSHG-04



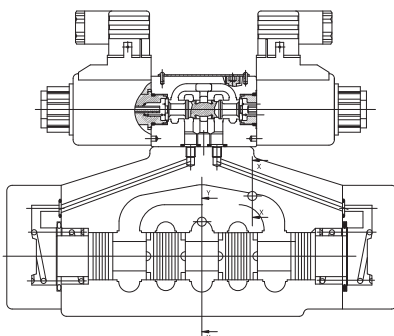
Removed for internal pilot model



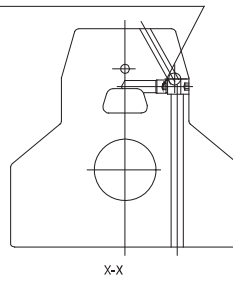
Removed for internal drain model



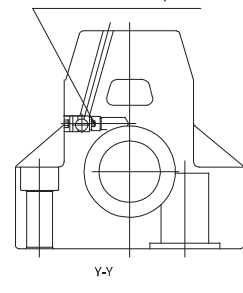
DSHG-06/10

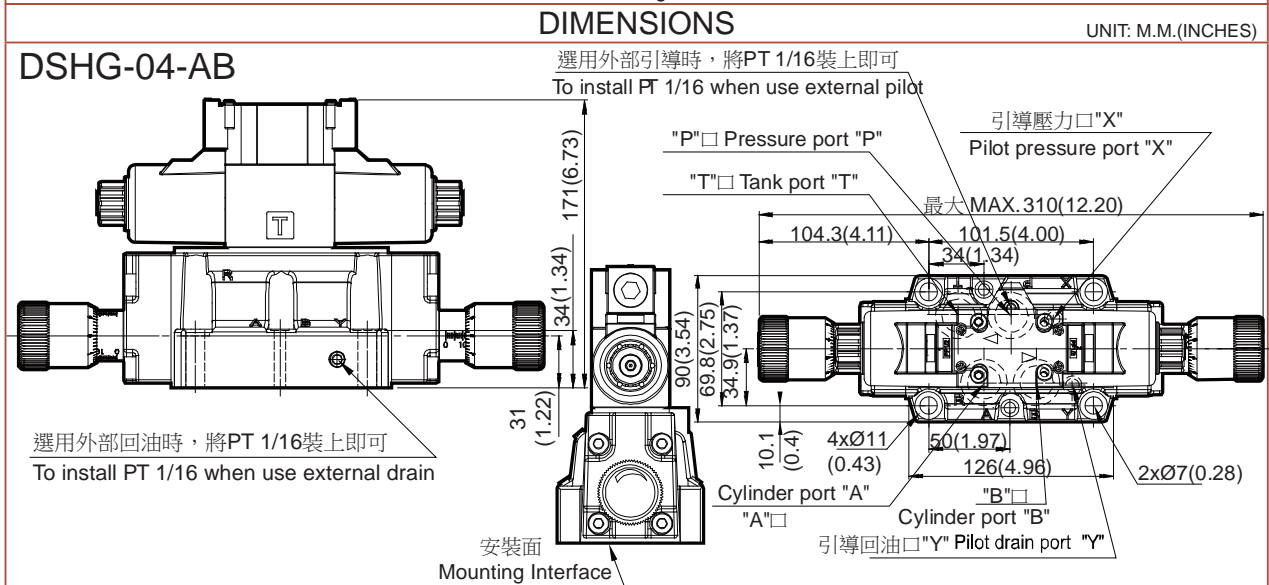
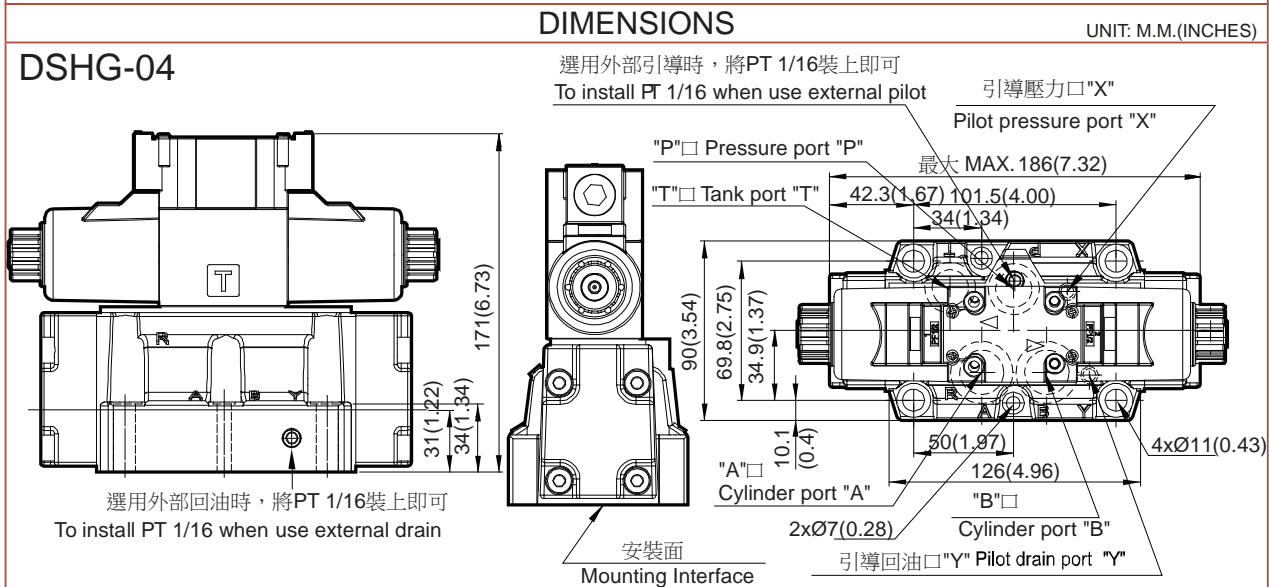
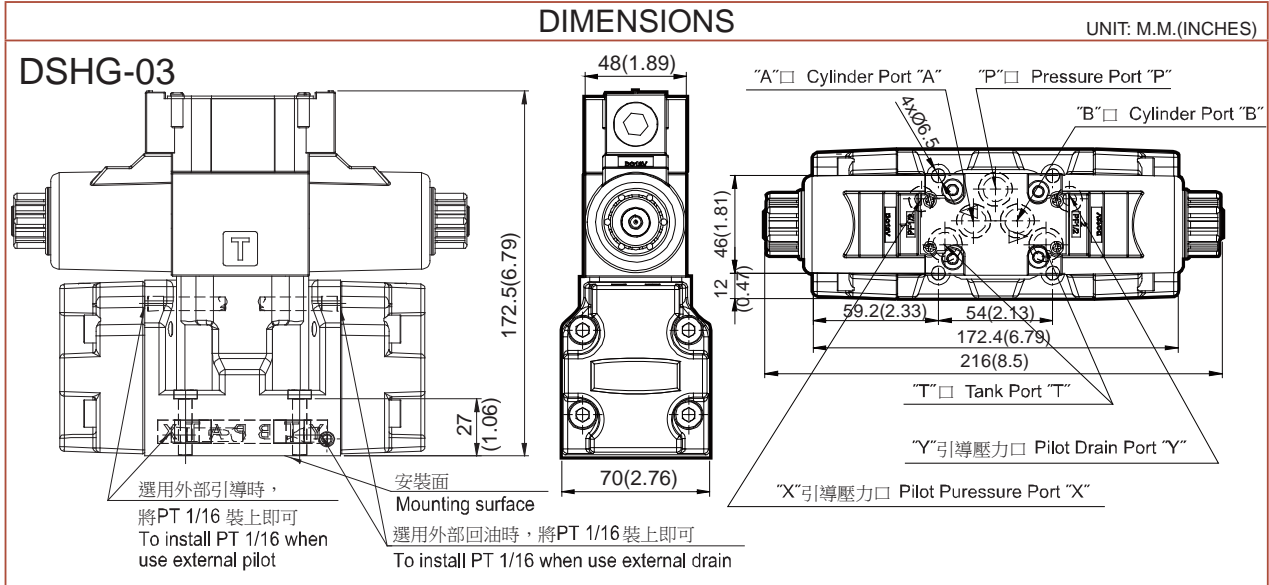


Removed for internal drain model



Removed for internal pilot model



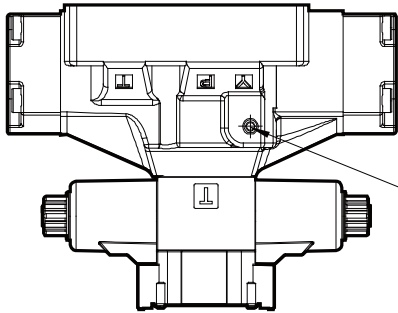


A

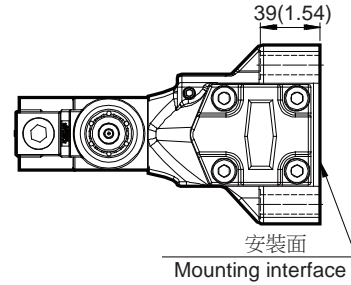
### DIMENSIONS

UNIT: M.M.(INCHES)

#### DSHG-06

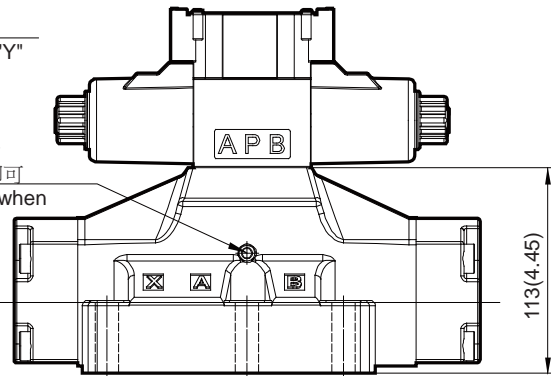
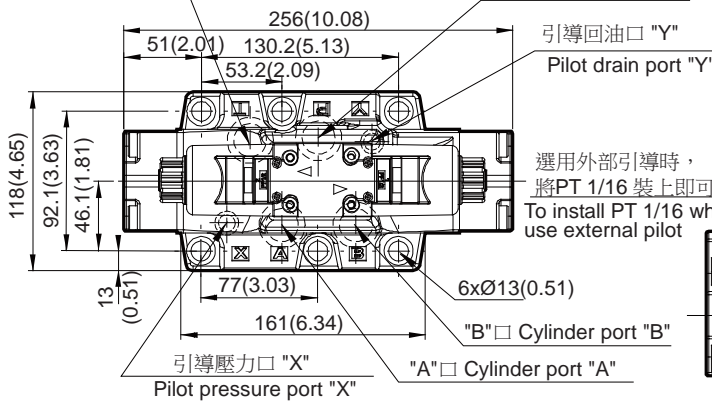


選用外部回油時，將PT 1/16 裝上即可  
To install PT 1/16 when use external drain



"T" □ Tank port "T"

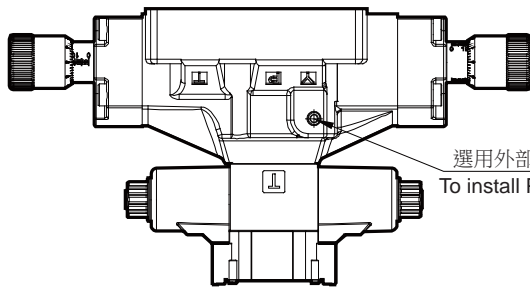
"P" □ Pressure port "P"



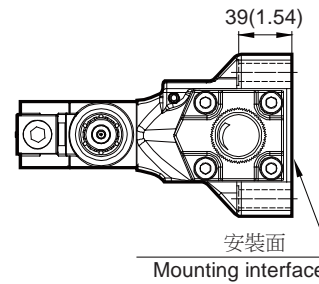
### DIMENSIONS

UNIT: M.M.(INCHES)

#### DSHG-06-AB

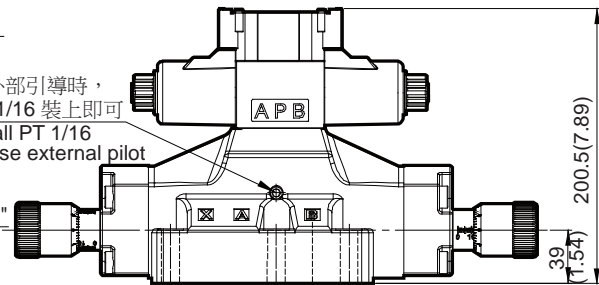
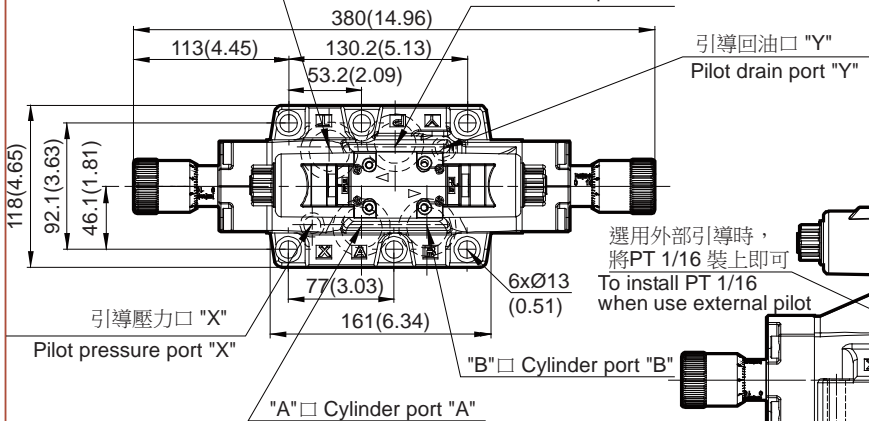


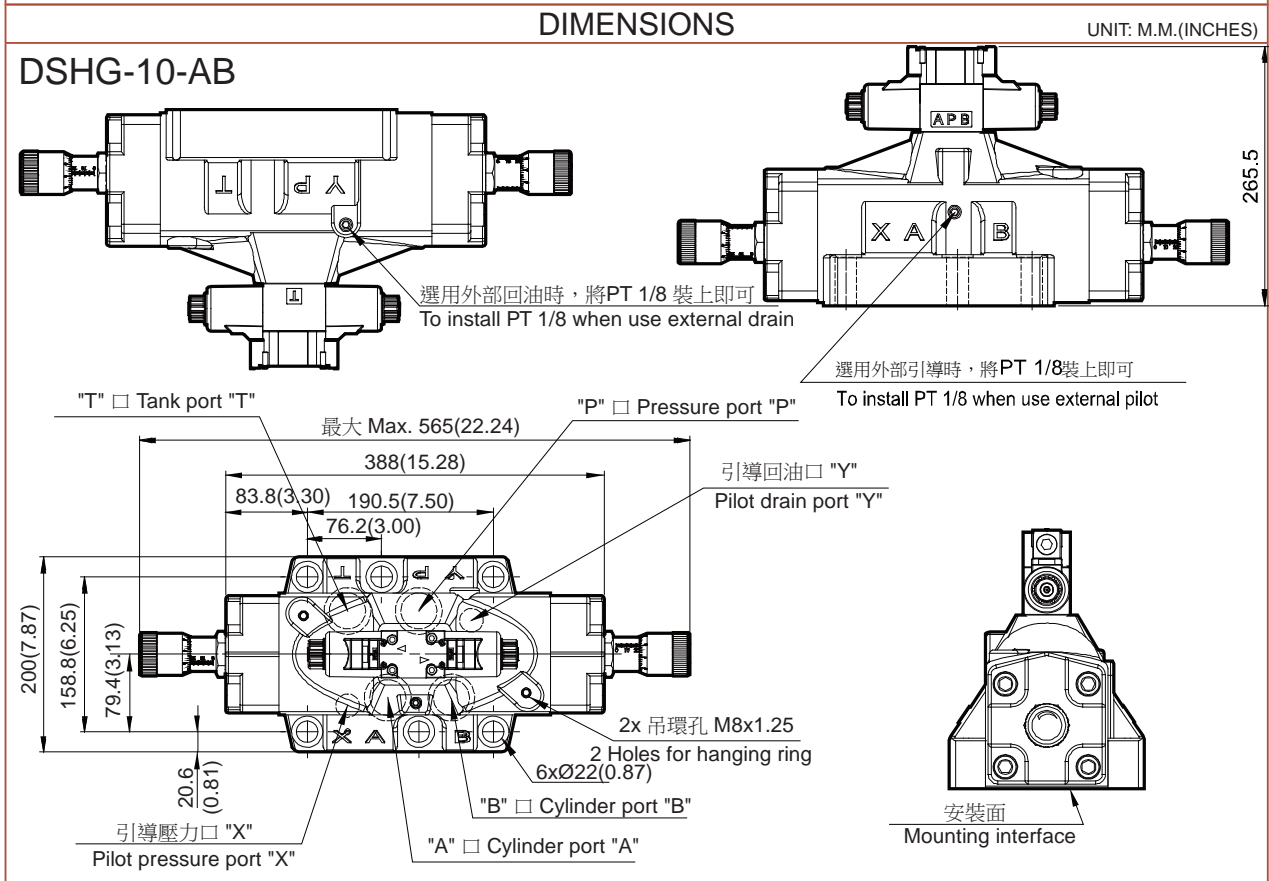
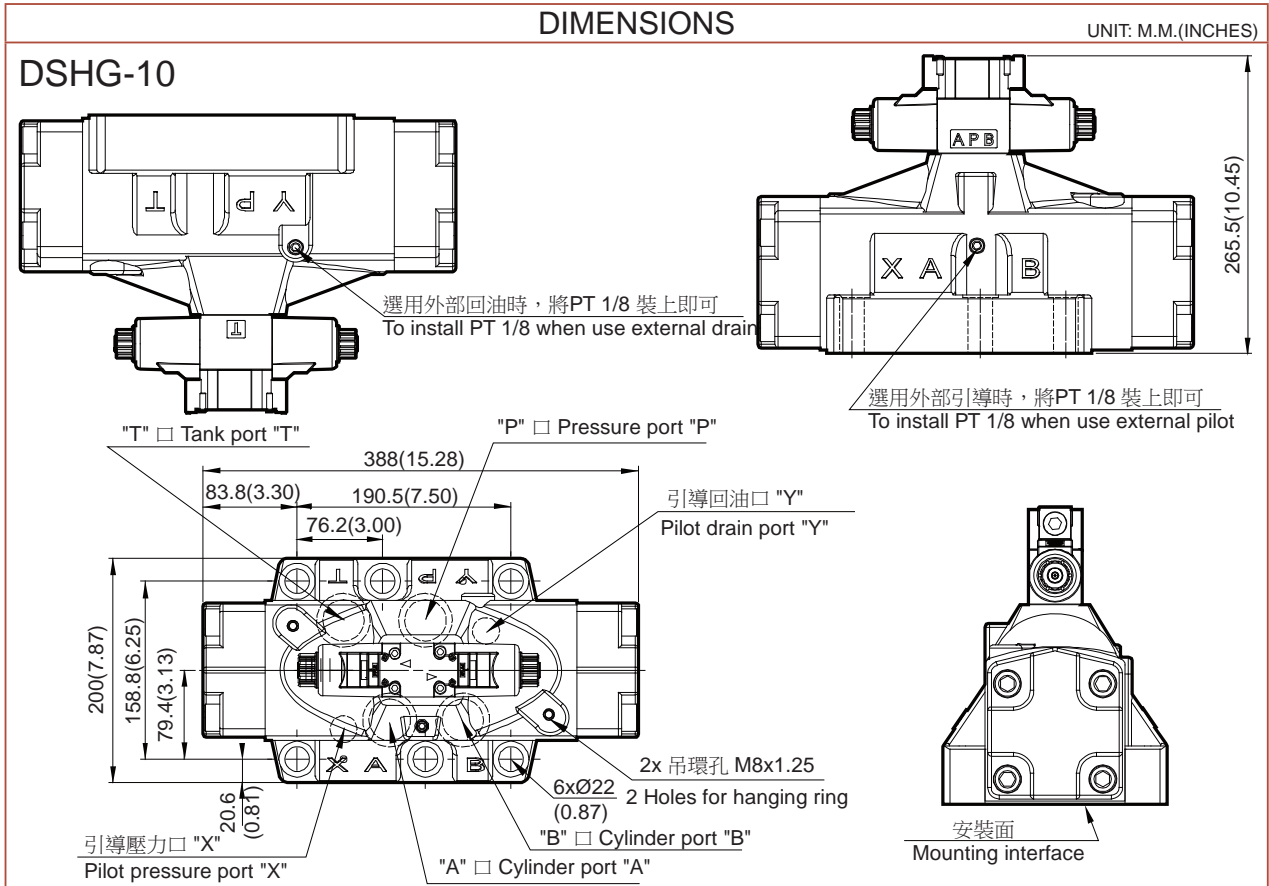
選用外部回油時，將PT 1/16 裝上即可  
To install PT 1/16 when use external drain



"T" □ Tank port "T"

"P" □ Pressure port "P"



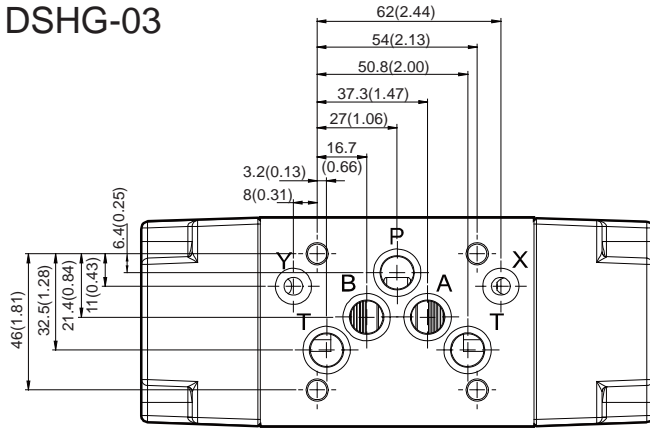


**A**

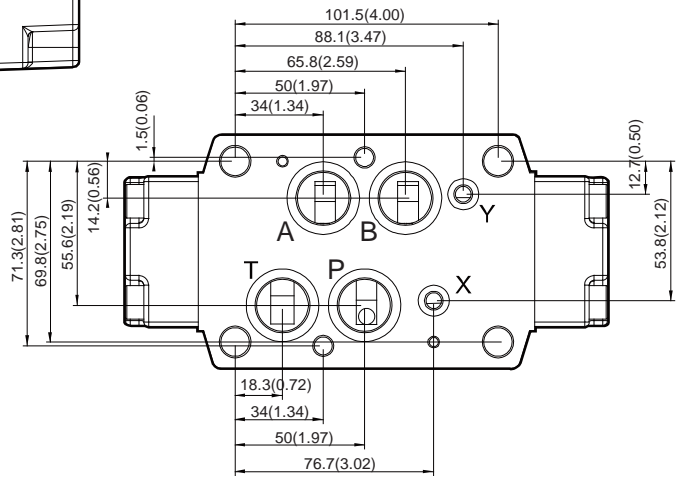
### MOUNTING INTERFACE DIMENSIONS

UNIT: M.M.(INCHES)

**DSHG-03**



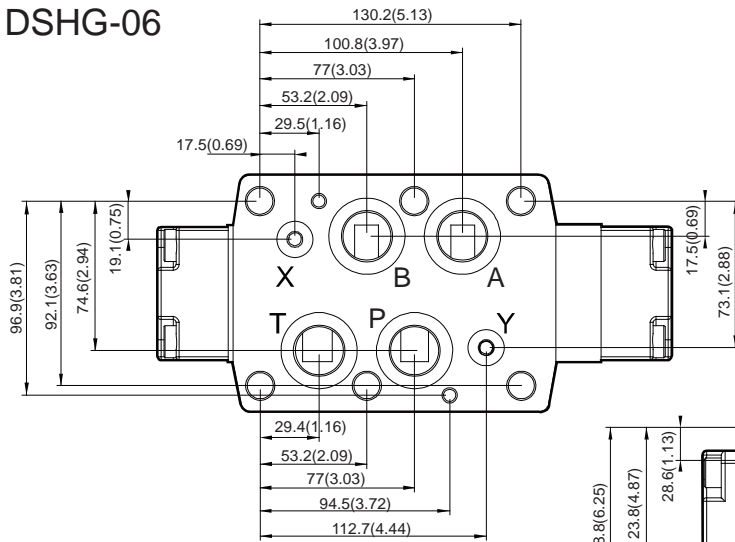
**DSHG-04**



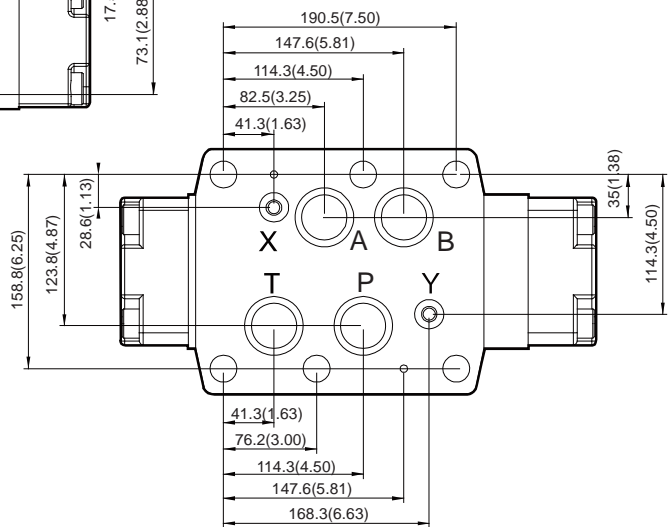
### MOUNTING INTERFACE DIMENSIONS

UNIT: M.M.(INCHES)

**DSHG-06**

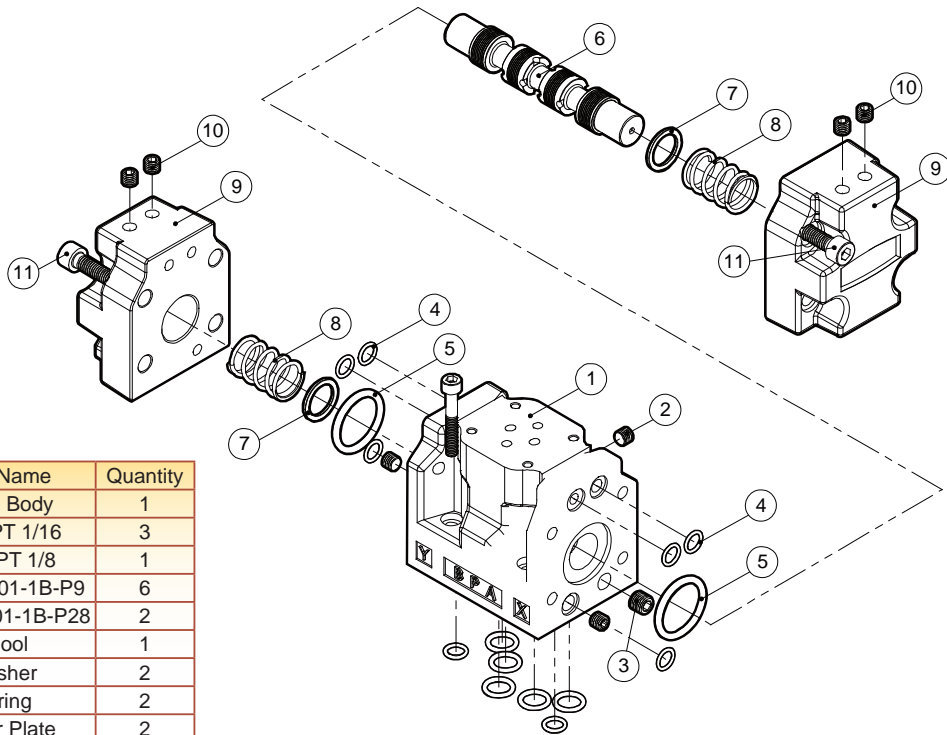


**DSHG-10**



### ASSEMBLY

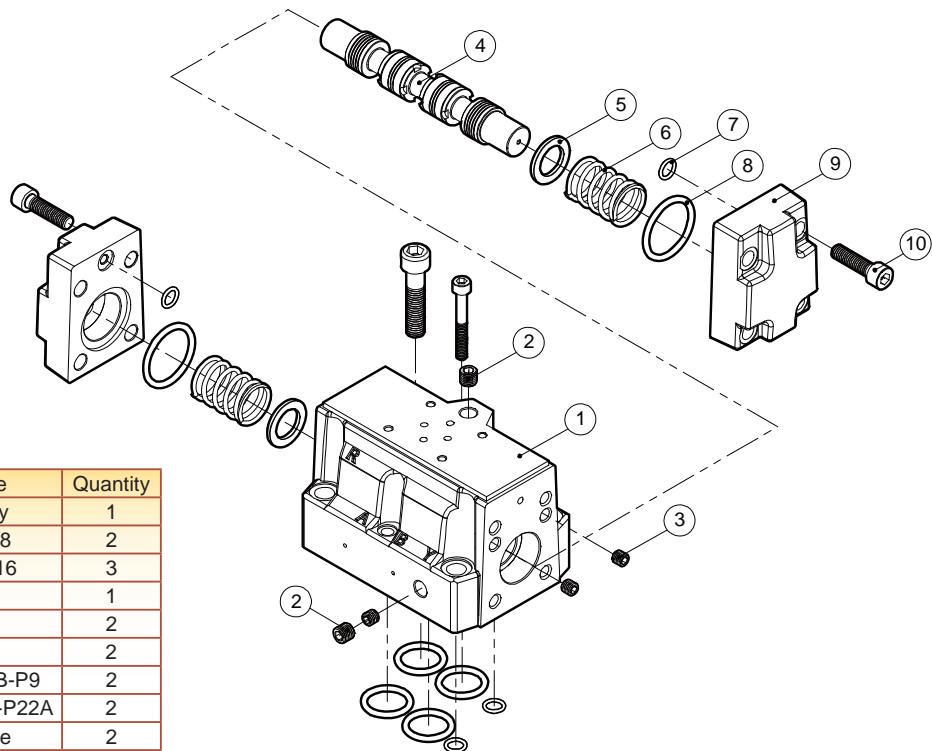
#### DSHG-03



Item No.	Part Name	Quantity
1	Valve Body	1
2	Plug PT 1/16	3
3	Plug PT 1/8	1
4	JIS B 2401-1B-P9	6
5	JIS B 2401-1B-P28	2
6	Spool	1
7	Washer	2
8	Spring	2
9	Cover Plate	2
10	Plug PT 1/16	4
11	Bolt M8X30L	8

### ASSEMBLY

#### DSHG-04



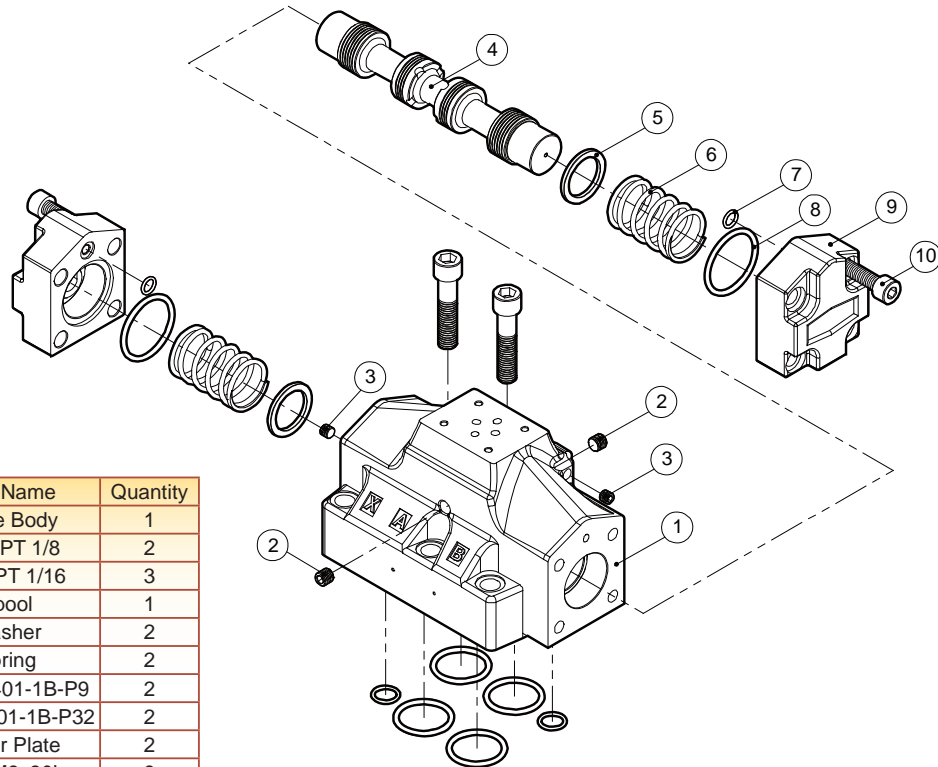
Item No.	Part Name	Quantity
1	Valve Body	1
2	Plug PT 1/8	2
3	Plug PT 1/16	3
4	Spool	1
5	Washer	2
6	Spring	2
7	JIS B 2401-1B-P9	2
8	JIS B 2401-1B-P22A	2
9	Cover Plate	2
10	Bolt M8x30L	8



A

### ASSEMBLY

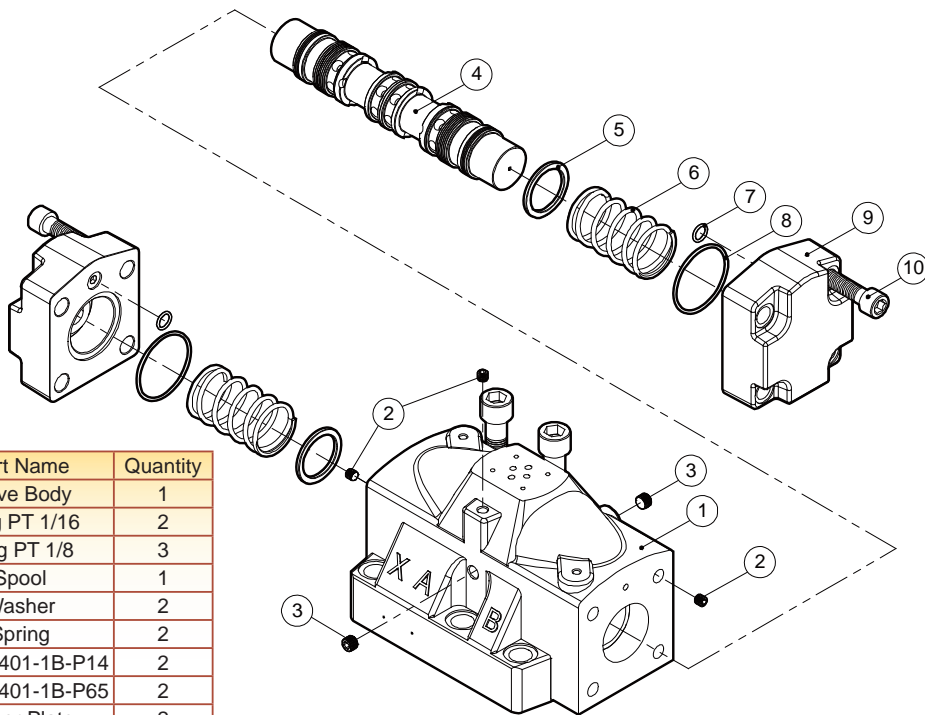
#### DSHG-06



Item No.	Part Name	Quantity
1	Valve Body	1
2	Plug PT 1/8	2
3	Plug PT 1/16	3
4	Spool	1
5	Washer	2
6	Spring	2
7	JIS B 2401-1B-P9	2
8	JIS B 2401-1B-P32	2
9	Cover Plate	2
10	Bolt M8x30L	8

### ASSEMBLY

#### DSHG-10



Item No.	Part Name	Quantity
1	Valve Body	1
2	Plug PT 1/16	2
3	Plug PT 1/8	3
4	Spool	1
5	Washer	2
6	Spring	2
7	JIS B 2401-1B-P14	2
8	JIS B 2401-1B-P65	2
9	Cover Plate	2
10	Bolt M16x55L	8