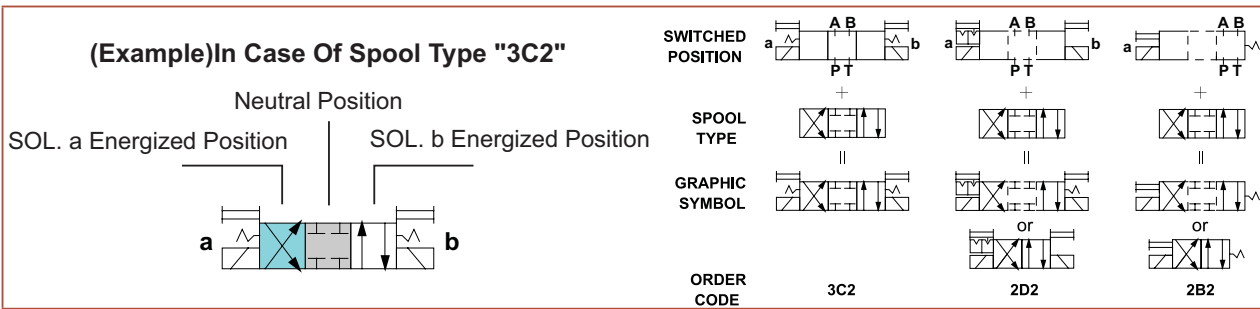


[GRAPHICAL SYMBOLS]



- 1) Example: Three switched position, spring centred(3C) with spool type "2", ordering code "3C2".
- 2) Example: Two switched position, no spring with detent(2D) with spool type "2", ordering code "2D2".
- 3) Example: Two switched position, spring offset(2B) with spool type "2" (reverse assembled), ordering code "2B2(L)".
- 4) The dotted line of graphical symbol(2B, 2D, 2N) represent the momentary switched position.

Three Switched Position	Graphical Symbol	Two Switched Position	Graphical Symbol	Two Switched Position	Graphical Symbol	Two Switched Position	Graphical Symbol
Spring Centred		No Spring		Spring Offset		No Spring-With Detent	
Model No: "3C"+ Spool Type		Model No: "2N"+ Spool Type		Model No: "2B"+ Spool Type		Model No: "2D"+ Spool Type	

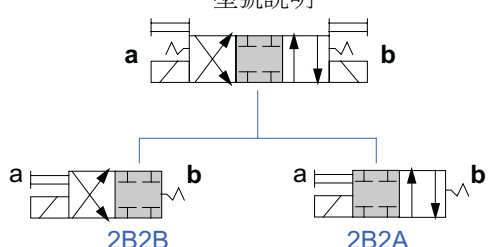
Spool Type	Graphical Symbol	Physical Relationship (Neutral Position)	Spool SWG-02	Spool SWG-03	Remark
"2"					Holds pump pressure and cylinder position at neutral. Care should be paid if used as a 2-position type because shock occurs when each port is blocked in transit.
"3"					Pump can be unloaded and actuator is floating at neutral. If a 2-position type is used, shock is reduced as each port is released to tank in transit.
"4"					Pump pressure is held and actuator is floated at neutral. 2-position type is used when system pressure is required to be held in transit. Shock during transit is less compared to spool type "2".
"40"					In a variation of spool type "4", a restrictor is provided in A-T and B-T ports. Making it faster at stopping the actuator.
"5"					It can be used when a pump is unloading at neutral and actuator is halted at one way flow.
"60"					Pump is unloading and actuator position held at neutral. Suitable for series operation. Shock is reduced as each port is released to tank on transit.
"7"					Mainly used as a 2-position type. Shock is reduced on transit.
"8"					Pump pressure and cylinder position is held at neutral in the same way as spool type "2". It is used as 2 way type.
"85"					
"9"					Regenerative circuit is provided at neutral.
"10"					Prevent actuator from one direction drift by leakage of P port at neutral.
"11"					Half actuator movement positively at B. T ports blocked. P.A port connected at neutral.
"12"					Prevent actuator from one direction drift by leakage of P port at neutral.

A

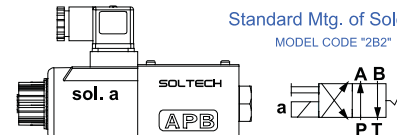
【 GRAPHICAL SYMBOLS 】

A

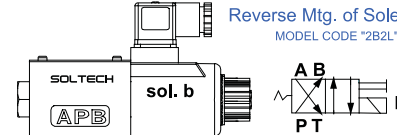
Model No. Explanation
型號說明



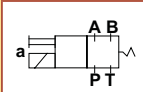
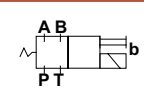
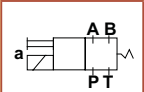
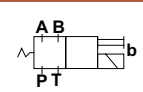
Standard Mtg. of Solenoid
MODEL CODE "2B2"

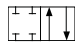





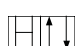





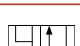









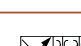

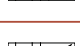





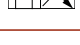











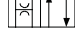





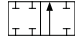



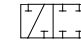

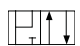





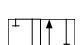













Reverse Mtg. of Solenoid
MODEL CODE "2B2L"



- 1) Example: Two switched position, spring offset(2B) with spool type "2B" , ordering code "2B2B".
- 2) Example: Two switched position, spring offset(2B) with spool type "2B" and reverse assembled, ordering code "2B2BL".
- 3) Valves Only Using Neutral Position and Side Position.

Two Switched Position Spring Offset Model No: "2B"+ Spool Type	Graphical Symbol		3D Pictures		Graphical Symbol		3D Pictures
	Standard Assembled	Reverse Assembled Model No: Spool Type + "L"			Standard Assembled	Reverse Assembled Model No: Spool Type + "L"	
							

Spool Type	Graphical Symbols		3D Pictures		Spool Type	Graphical Symbols		3D Pictures	
			SWG-02	SWG-03				SWG-02	SWG-03
2A					2B				
3A					3B				
4A					4B				
40A					40B				
5A					5B				
60A					60B				
7A					7B				
8A					8B				
9A					9B				
10A					10B				
11A					11B				
12A					12B				

As The Same As
Spool Type
"2"~"12".

【 MODEL DESIGNATION 】

SWG	-	(H)	-	(AP)	-	02	-	2B	2	(L)	-	A220	-	(S)	-	(N)	-	(90)
I		II		III		IV		V	VI	VII		VIII		IX		X		XI

※ The item with "()" can be omitted.

A

I) Series No.

II) Omit: 31.5 MPa
315 kg/cm²(Bar)
4570 psi

H: 35 MPa
350 kg/cm²(Bar)
5070 psi

S: Shockless Type(DC voltage only)

III) Valve Body Antirust Treatment(Color)

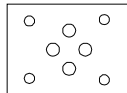
Omit : Phosphate Surface Treatment(Black)

AP : Antirust Painting(Blue)

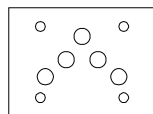
NS : Nickel Surface Plating(Silver)

IV) Valve Size

02: 1/4"
ISO4401-03-02-0-94
NFPA-D03
CETOP 3
DIN 24340 NG6



03: 3/8"
ISO 4401-AC-05-4-A
NFPA-D05(FORMERLY D02)
CETOP 5
DIN 24340 NG10



V) 2B: Two Switched Position With Intermediate Or Momentary Switched Position

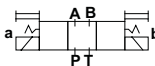
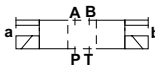
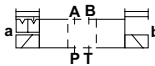
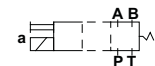
2B: Spring Offset

2D: With Detent

2N: No Spring

3C: Three Switched Position

3C: Spring Centred

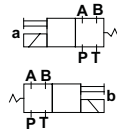


VI) Spool Type

(Referring to Graphical Symbols, Page 6)

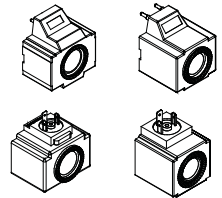
VII) Assembled Direction

Omit: Standard Assembled
L: Reverse Assembled

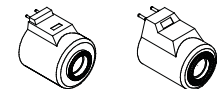


VIII) Voltage

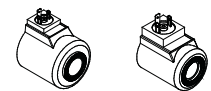
A110: AC 110V/50(60)HZ
A220: AC 220V/50(60)HZ
A24: AC 24V/50HZ
A240: AC 240V/50HZ
A380: AC 380V/50HZ



D12: DC 12V
D24: DC 24V
D48: DC 48V
D96: DC 96V



R1: RF 110V/50(60)HZ
(Rectified)
R2: RF 220V/50(60)HZ
(Rectified)



IX) Coil Type

Omit: Encapsulated by Epoxy
S: Silver Shell
(Bosch Rexroth Type)

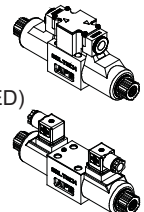
X) Connector Type

Omit: Terminal Box

N : Plug-In Connector (With LED)
DIN 43650
ISO 4400

N1 : Plug-In Connector (Without LED)

L : Lead Wire
SWP Connector
DT04-2P Connector



XI) Mounting Bolts Standard

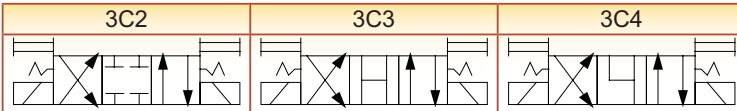
Omit: DIN 912 Bolts
90: UNC Bolts(North America Design Std.)

A

※SPECIFICATION

MODEL	MAX. OPER. PRES. (Kg/cm ²)/(MPa)	ALLOWABLE BACK PRES. (Kg/cm ²)/(MPa)	RATED FLOW (ℓ/min)	WEIGHT (Kg)
SWG-VH-AC	720(72)	70(7)	8	2.1
SWG-VH-DC	720(72)	70(7)	8	2.4

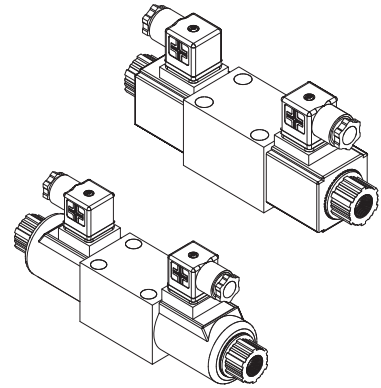
※GRAPHIC SYMBOL



※MODEL NUMBER DESIGNATION

SWG	VH	3C2	D2	(N)	(90)
SERIES NO.	HIGH PRES. 72 MPa	SPOOL TYPE REFER TO "SWG" SERIES SPOOL TYPE	VOLTAGE R1: AC 110V/50HZ AC 110V/60HZ R2: AC 240V/50HZ AC 220V/50HZ AC 220V/60HZ D1: DC 12V D2: DC 24V	CONNECTOR TYPE OMIT: TERMINAL BOX N: PLUG-IN CONNECTOR DIN 43650 ISO 4400	DESIGN NO. OMIT: DIN 912 BOLTS 90: UNC BOLTS (NORTH AMERICA)

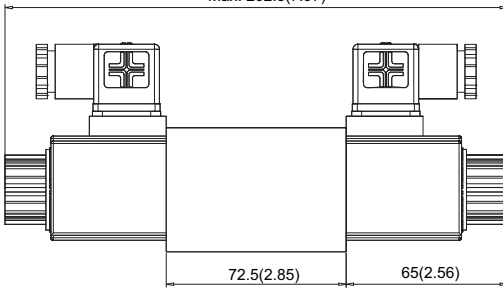
【SWG-VH】



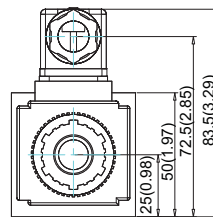
※DIMENSIONS

Max. 202.5(7.97)

SWG-VH-AC

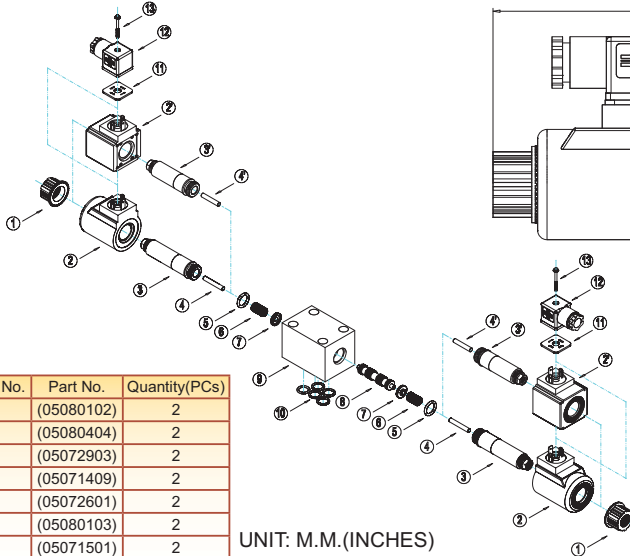
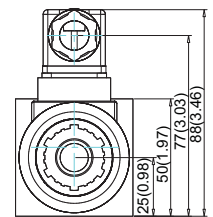
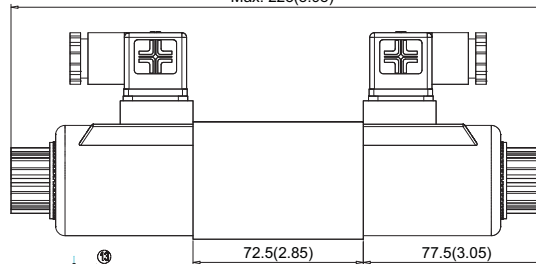


Mounting Interface: CETOP 03, NG6, ISO 4401 standard is also available



SWG-VH-DC

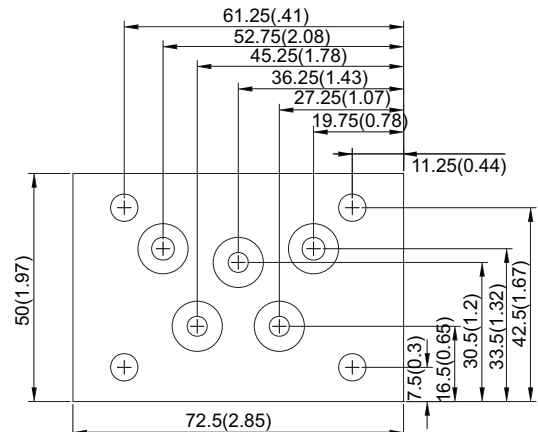
Max. 228(8.98)



Item No.	Part No.	Quantity(PCs)
1	(05080102)	2
2	(05080404)	2
3	(05072903)	2
4	(05071409)	2
5	(05072601)	2
6	(05080103)	2
7	(05071501)	2
8	(05010701)	1
9	(06071001)	1
10	(05072603)	5
11	(05080402)	2
12	(05080402)	2
13	(05080402)	2

UNIT: M.M.(INCHES)

Item No.	Part No.	Quantity(PCs)
14	(05100501)	2
2'	(05081107)	2
3'	(05072901)	2
4'	(06011701)	2
13'	(05080402)	2



【SWG-02】

"ISO4401-03-02-0-94、NFPA-D03、CETOP 3、DIN 24340 NG6"



■ WITHIN CE MARKING REQUIREMENT

The apparatus meets the requirements of the following standards and hence fulfills the requirements of EMC Directive 89/336/EEC as amended by Directives 92/31/EEC and 93/68/EEC within CE marking requirement.

EN61000-6-3 : 2001+A11 : 2004 : CISPR 22 : 1997+A1:2000+A2 : 2002 Class B,
IEC61000-3-2 : 2000, modified
EN61000-3-3 : 1994+A1:2001
EN61000-6-1 : 2001 : IEC61000-4-2 : 1995+A1:1998+A2: 2000
IEC61000-4-3 : 2002, IEC61000-4-4 : 2004
IEC61000-4-5 : 1995+A1:2000 IEC61000-4-6 : 1996+A1:2000
IEC61000-4-8 : 1993+A1:2000 IEC61000-4-11:1994+A1:2000.

■ STABLE OPERATION

With a strong magnet and spring force, the valves are tough against contamination and thus ensure a stable operation. Under standard operation, the durability to 10 million spool shifts.(Average)

■ HIGH QUALITY & COMPETITIVE PRICE

All products are 100% tested by professional testing machinery. The material of tube is imported from Japan, and all parts are processed by professional specific automatic machinery. But the price is less 30% than leading brands.

■ EASY MAINTENANCE

Plug-in solenoid, all spools and bodies are interchangeable, the head of tube is design to hexnut to simplifying maintenance and reduce damage when assembl.

■ HIGH PERFORMANCE □ SWGH SERIES □

High pressure(up to 35MPa), high flow rating, provides low pressure drop, with maximum performance. If need more details please consult our distributors.

■ CUSTOMIZATION

According to the requirement of customer to customize the product, and 100% satisfy their need.

※MOUNTING BOLTS :

Descriptions	Soc.Hd.Cap Screw(4 pcs.)	Tightening Torque
Taiwan Design Standard	02 : M5 × 45 Lg 02	0.5 - 0.7Kgf m(43 - 60 in. lbs)
European Design Standard		
N.America Design Standard	No.10 - 24 UNC × 1 - 3/4 Lg.	

★Four socket head cap screws in the table below are included

※SPECIFICATION :

Max. Pressure (kgf/cm ²)	Rated Flow (l/min.)	Max. T-Line Back Pressure (kg/cm ²)	Max.Frequency of Operation (cycle/min.)	Filtration (Micron.)	Ambient Temperature Range(°C)	Weight (kgs)
315 (31.5 Mpa) (4570 psi)	65 (17.1gpm)	160 (16 MPa) (2320 psi)	240	25 β ₂₅ ≥ 75	-5 ~ 60	3C、2D、2N AC:2 DC:2.3 2B AC:1.7 DC:1.8

★Spool type "5", "6", "60" Max. Pressure : 250 kgf/cm²(25MPa, 3630psi)

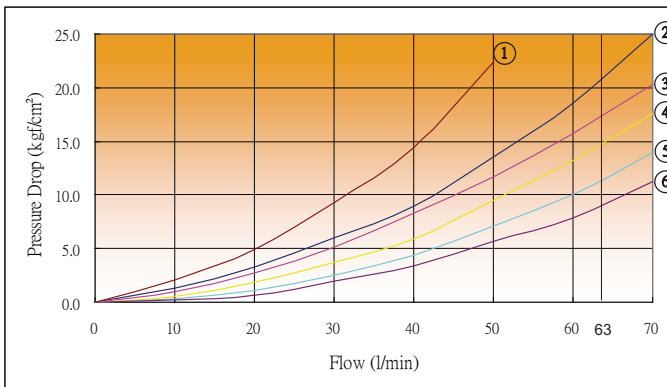
※SOLENOID RATING :

Power	Voltage (V)	Frequency (HZ)	Current At Rated Voltage				
			In-Rush Current(A)	Holding Current(A)	Power (W)		
AC	A110	50	1.6	0.46			
		60	1.4	0.32			
	A120	50	1.3	0.38			
		60	1.2	0.27			
	A220	50	0.80	0.23			
		60	0.70	0.16			
	A240	50	0.67	0.19			
		60	0.59	0.13			
	DC	D12				2.2	26
		D24				1.1	

★Solenoid Isulation Class: Class H

※PERFORMANCE CURVES :

Test fluid viscosity:35 cst(175ssu)
Test temperature: 50°C(122°F)



Spool Type	P→A	B→T	P→B	A→T	P→T
3C2	5	5	5	5	-
3C3	6	6	6	6	4
3C4	5	6	5	6	-
3C40	5	5	5	5	-
3C5	1	1	1	1	4
3C6	1	1	1	1	4
3C60	1	1	1	1	4
3C7	6	5	6	5	-
3C8	5	5	5	6	-
3C9	6	5	6	5	-
3C10	5	6	5	5	-
3C11	6	5	5	5	-
3C12	5	5	5	6	-
2D2	5	2	5	2	-
2D3	6	3	5	3	-
2B2	2	2	5	5	-
2B3	3	3	5	5	-

【SWG-03】

"ISO4401-AC-05-4-A、NFPA-D05、CETOP 5、DIN 24340 NG10"



■ WITHIN CE MARKING REQUIREMENT

The apparatus meets the requirements of the following standards and hence fulfills the requirements of EMC Directive 89/336/EEC as amended by Directives 92/31/EEC and 93/68/EEC within CE marking requirement.

EN61000-6-3 : 2001+A11 : 2004 : CISPR 22 : 1997+A1:2000+A2 : 2002 Class B,
IEC61000-3-2 : 2000, modified
EN61000-3-3 : 1994+A1:2001
EN61000-6-1 : 2001 : IEC61000-4-2 : 1995+A1:1998+A2: 2000
IEC61000-4-3 : 2002, IEC61000-4-4 : 2004
IEC61000-4-5 : 1995+A1:2000 IEC61000-4-6 : 1996+A1:2000
IEC61000-4-8 : 1993+A1:2000 IEC61000-4-11:1994+A1:2000.

■ STABLE OPERATION

With a strong magnet and spring force, the valves are tough against contamination and thus ensure a stable operation. Under standard operation, the durability to 10 million spool shifts.(Average)

■ HIGH QUALITY & COMPETITIVE PRICE

All products are 100% tested by professional testing machinery. The material of tube is imported from Japan, and all parts are processed by professional specific automatic machinery. But the price is less 30% than leading brands.

■ EASY MAINTENANCE

Plug-in solenoid, all spools and bodies are interchangeable, the head of tube is design to hexnut to simplifying maintenance and reduce damage when assembl.

■ HIGH PERFORMANCE □ SWGH SERIES □

High pressure(up to 35MPa), high flow rating, provides low pressure drop, with maximum performance. If need more details please consult our distributors.

■ CUSTOMIZATION

According to the requirement of customer to customize the product, and 100% satisfy their need.

A

※MOUNTING BOLTS :

Descriptions	Soc.Hd.Cap Screw(4 pcs.)	Tightening Torque
Taiwan Design Standard	03 : M6 × 35 Lg 03	0.5 - 0.7Kgf m(43 - 60 in. lbs)
European Design Standard		
N.America Design Standard	No.1/4-20 UNC × 1-1/2 Lg.	

★Four socket head cap screws in the table below are included

※SPECIFICATION :

Max. Pressure (kgf/cm ²)	Rated Flow (l/min.)	Max. T-Line Back Pressure (kg/cm ²)	Max.Frequency of Operation (cycle/min.)	Filtration (Micron.)	Ambient Temperature Range(°C)	Weight (kgs)
315 (31.5MPa) (4570 psi)	100 (26.3gpm)	160 (16 MPa) (2320 psi)	240	25 β ₂₅ ≥ 75	-5 ~ 60	3C、2D、2N - AC:4.6 DC:5.8 2B - AC:3.8 DC:4.4

★Spool type "5", "6", "60" Max. Pressure : 250 kgf/cm²(25MPa, 3630psi)

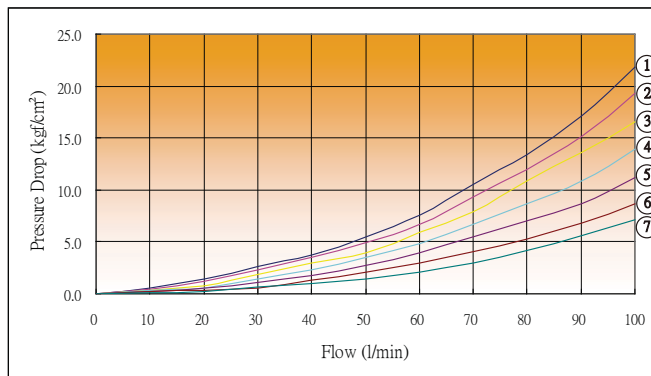
※SOLENOID RATING :

Power	Voltage (V)	Frequency (HZ)	Current At Rated Voltage			
			In-Rush Current(A)	Holding Current(A)	Power (W)	
AC	A110	50	3.20	0.80	38	
		60	2.90	0.65		
	A120	50	2.50	0.84		
		60	2.97	0.64		
	A220	50	1.72	0.42		
		60	1.47	0.32		
	A240	50	1.73	0.42		
		60	1.47	0.32		
	DC	D12				3.1
		D24				1.6

★Solenoid Isulation Class: Class H

※PERFORMANCE CURVES :

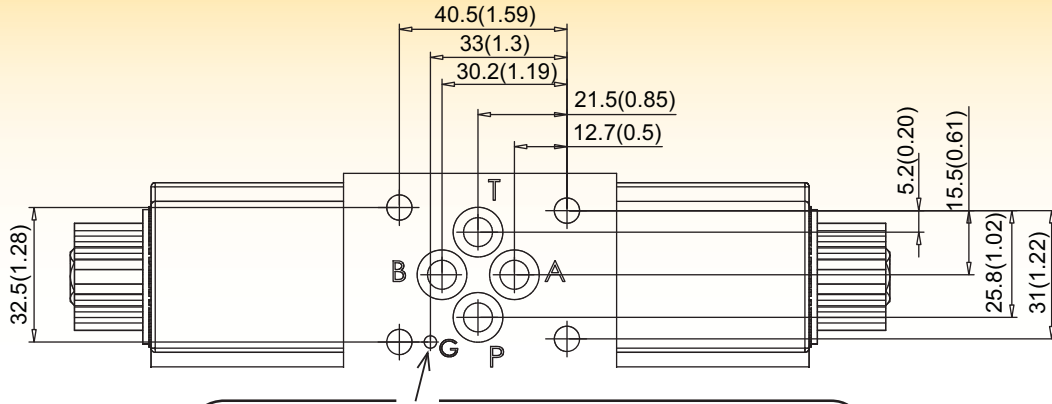
Test fluid viscosity:35 cst(175ssu)
Test temperature: 50°C(122°F)



Spool Type	P→A	B→T	P→B	A→T	P→T
3C2	4	5	4	5	-
3C3	6	6	6	6	6
3C4	4	7	4	7	-
3C40	4	5	4	5	-
3C5	6	5	4	6	2
3C6	5	5	5	5	1
3C60	5	5	5	5	1
3C7	6	5	6	5	-
3C8	4	5	4	7	-
3C9	6	5	4	5	-
3C10	5	6	4	5	-
3C11	6	5	4	5	-
3C12	4	5	4	7	-
2D2	3	3	4	5	-
2D3	3	3	5	5	-
2B2	2	2	4	5	-
2B3	2	2	5	6	-

【 DIMENSIONS 】

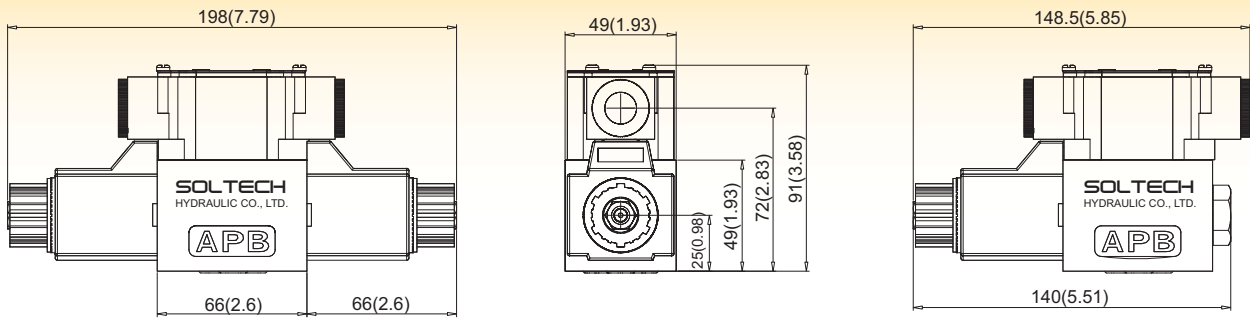
ISO4401-03-02-0-94、NFPA-D03、CETOP 3、DIN 24340 NG6



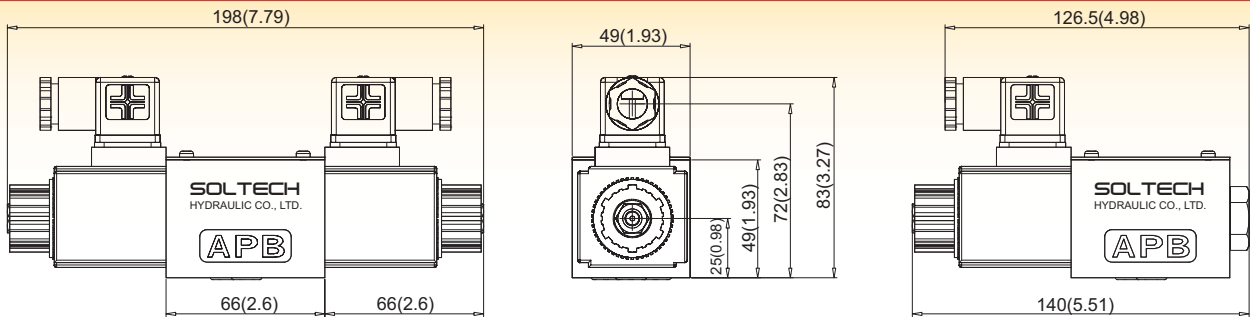
Locating pin can be fitted to this hole to conform with ISO 4401-03-02-0-94. However, locating pin is not provided to standard design valve. When ordering valve with a locating pin, please consult SOLTECH.

UNIT: M.M.

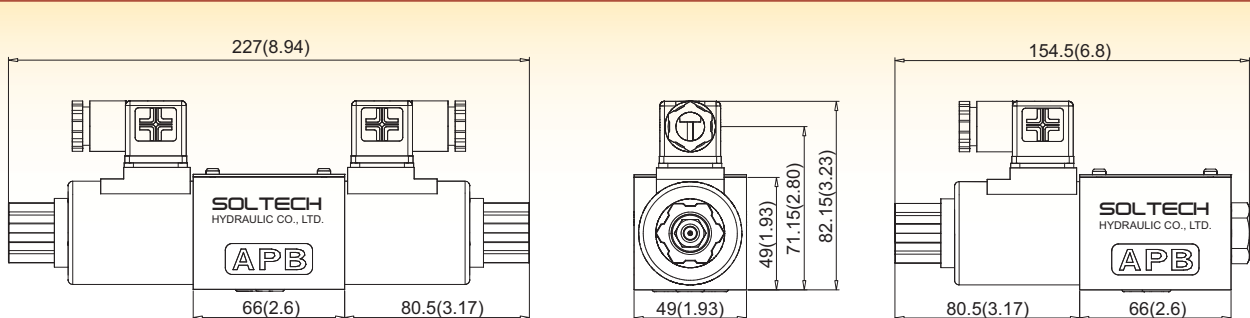
SWG-(H)-02-***-AC SERIES



SWG-(H)-02-***-AC-N SERIES



SWG-(H)-02-***-DC-S-N SERIES

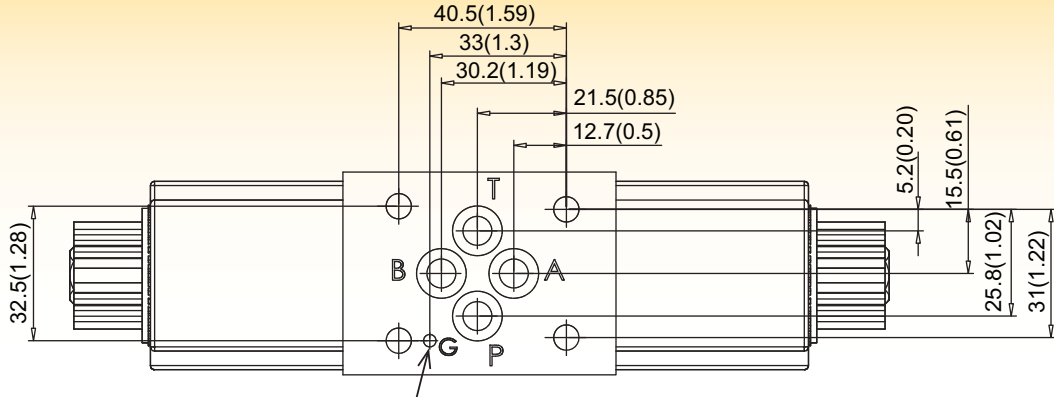


A

A

【 DIMENSIONS 】

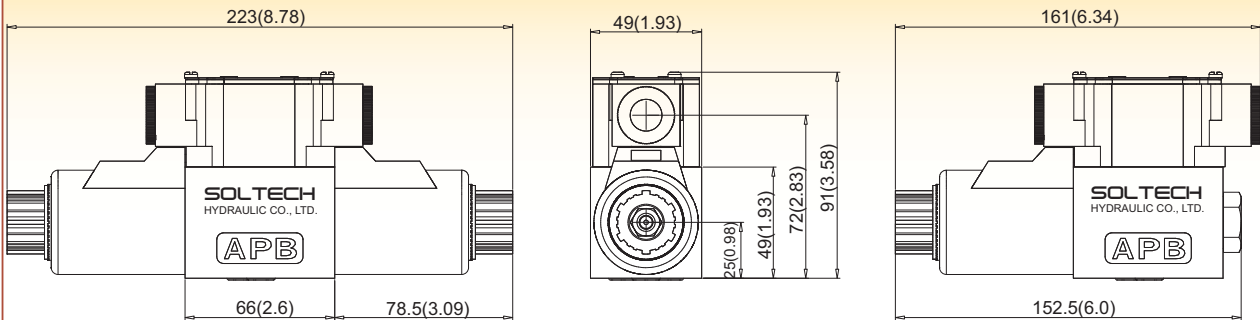
ISO4401-03-02-0-94、NFPA-D03、CETOP 3、DIN 24340 NG6



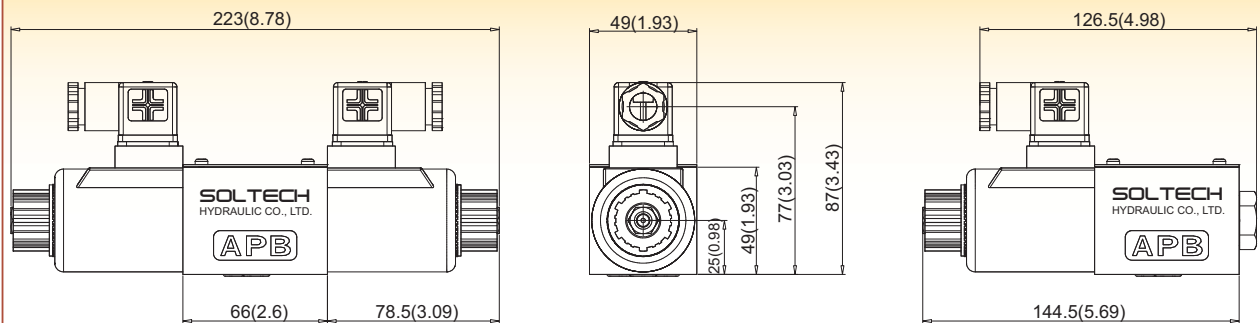
Locating pin can be fitted to this hole to conform with ISO 4401-03-02-0-94. However, locating pin is not provided to standard design valve. When ordering valve with a locating pin, please consult SOLTECH.

UNIT: M.M.

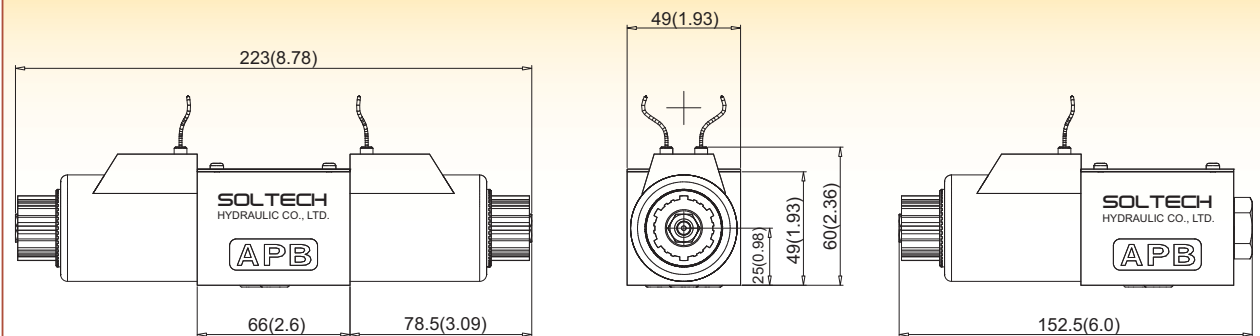
SWG-(H)-02-***-DC SERIES



SWG-(H)-02-***-DC-N SERIES

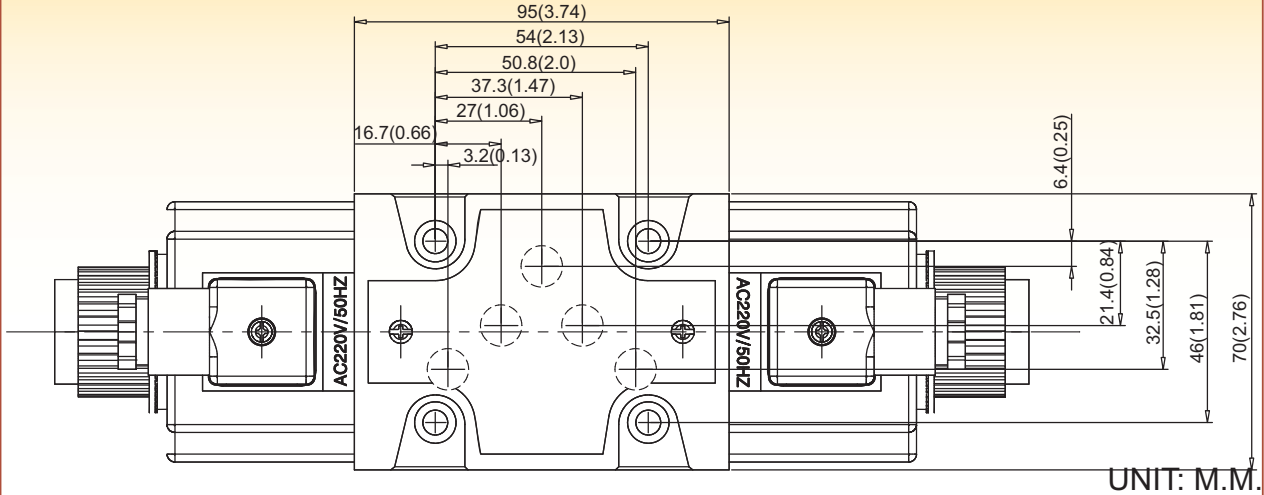


SWG-(H)-02-***-DC-L SERIES

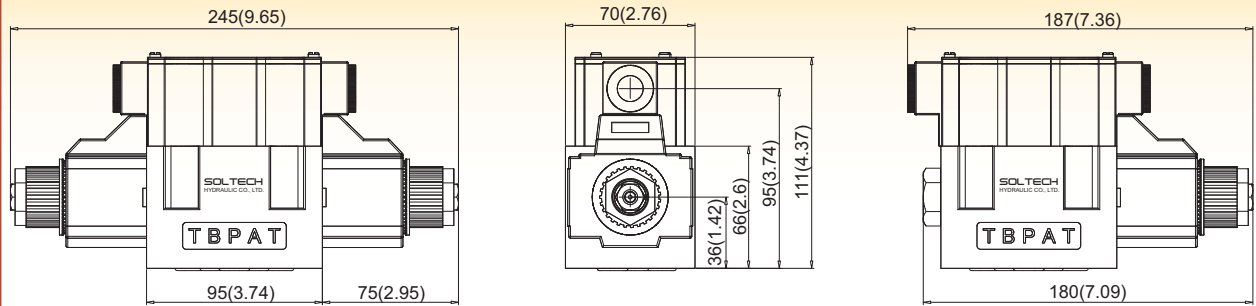


[DIMENSIONS]

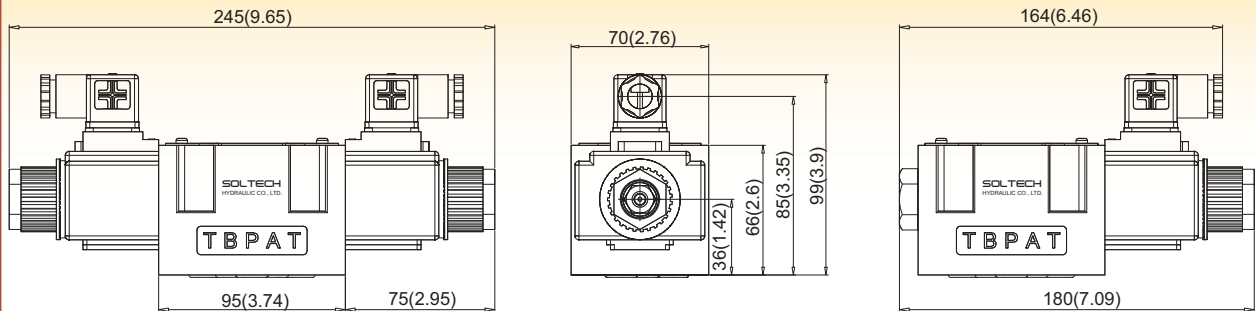
ISO4401-AC-05-4-A · NFPA-D05 · CETOP 5 · DIN 24340 NG10



SWG-(H)-03-***-AC SERIES



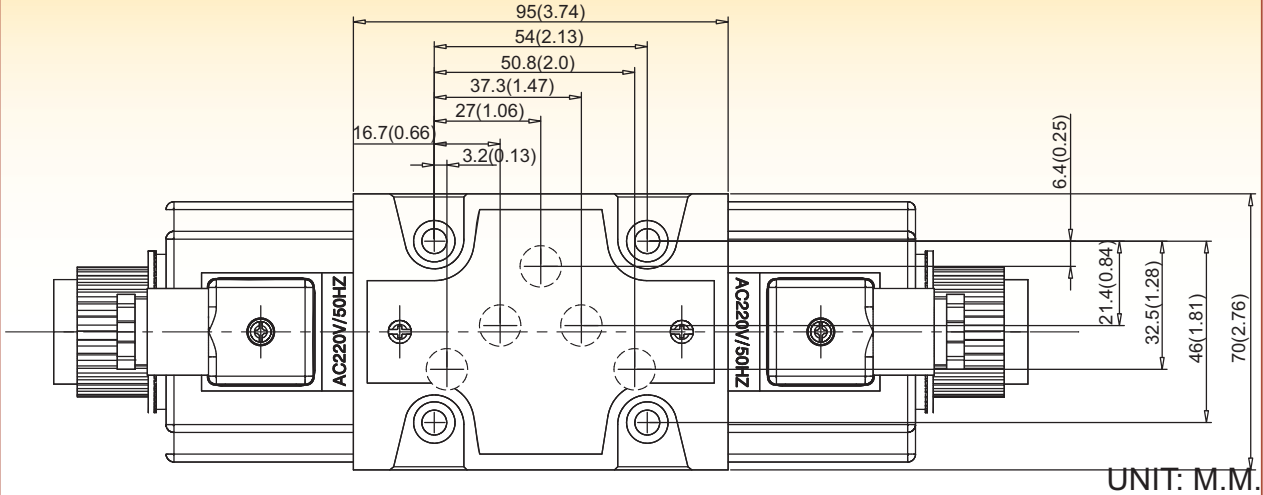
SWG-(H)-03-***-AC-N SERIES



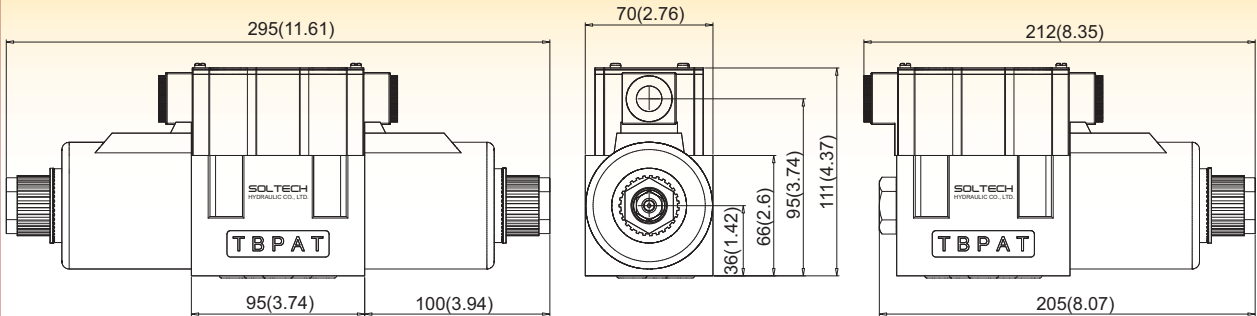
A

[DIMENSIONS]

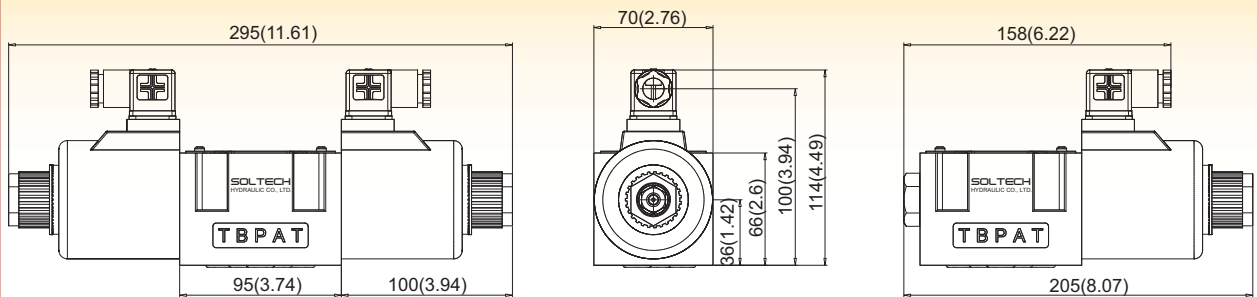
ISO4401-AC-05-4-A · NFPA-D05 · CETOP 5 · DIN 24340 NG10



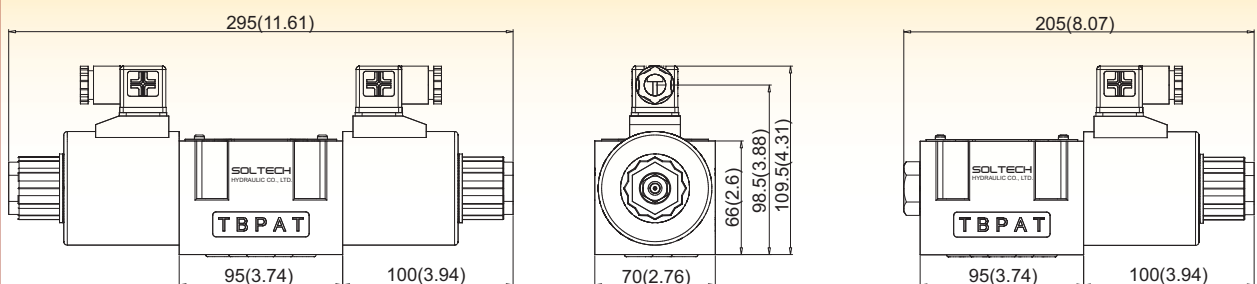
SWG-(H)-03-***-DC SERIES



SWG-(H)-03-***-DC-N SERIES

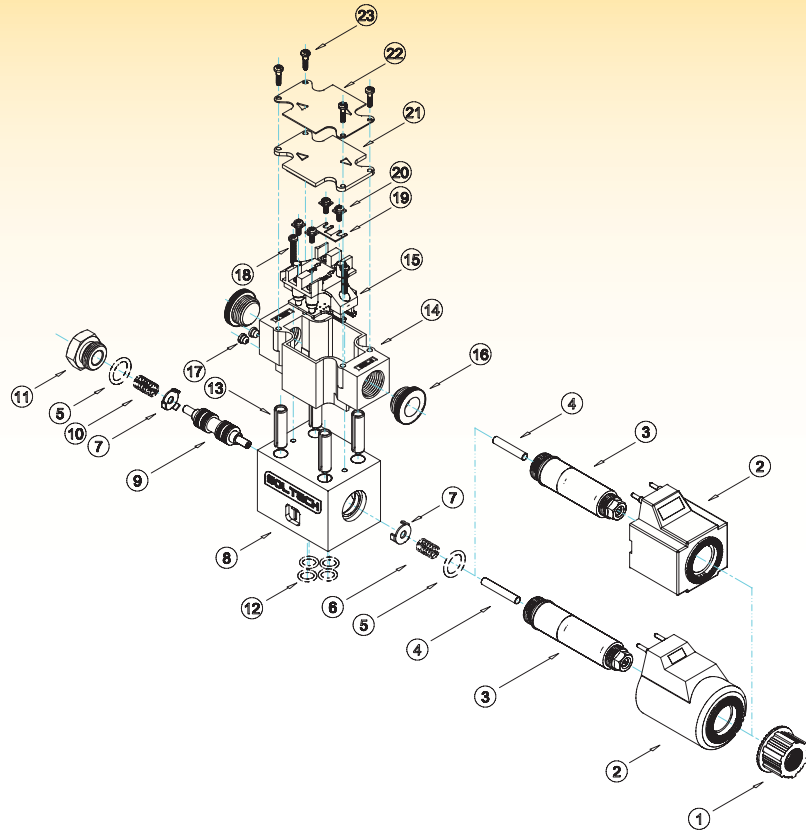


SWG-(H)-03-***-DC-S-N SERIES

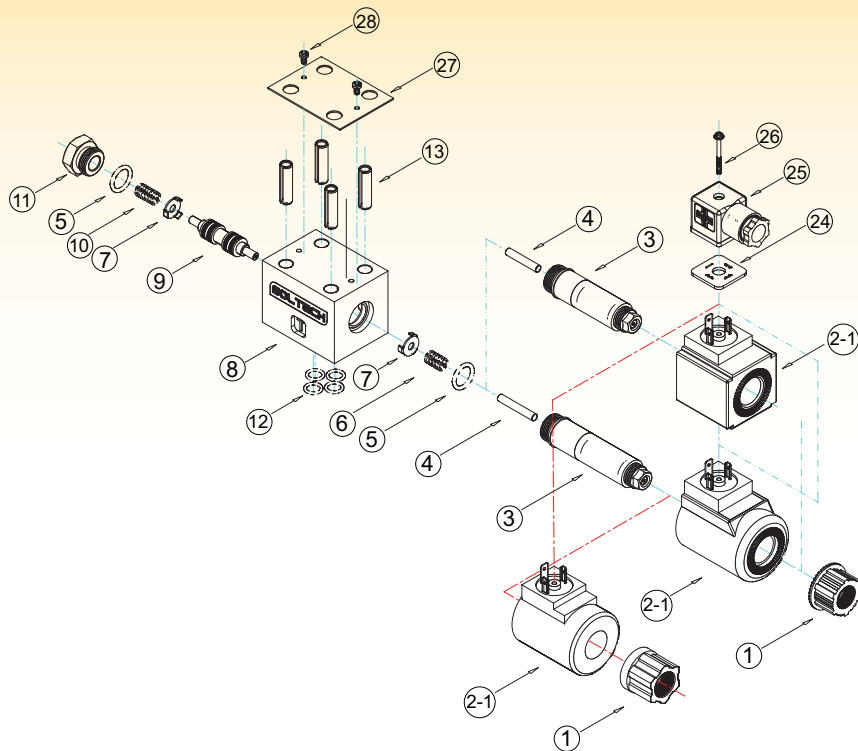


A

SWG-(H)-02-2B2-AC(DC) ASSEMBLY (PARTS LIST SEE PAGE 23)

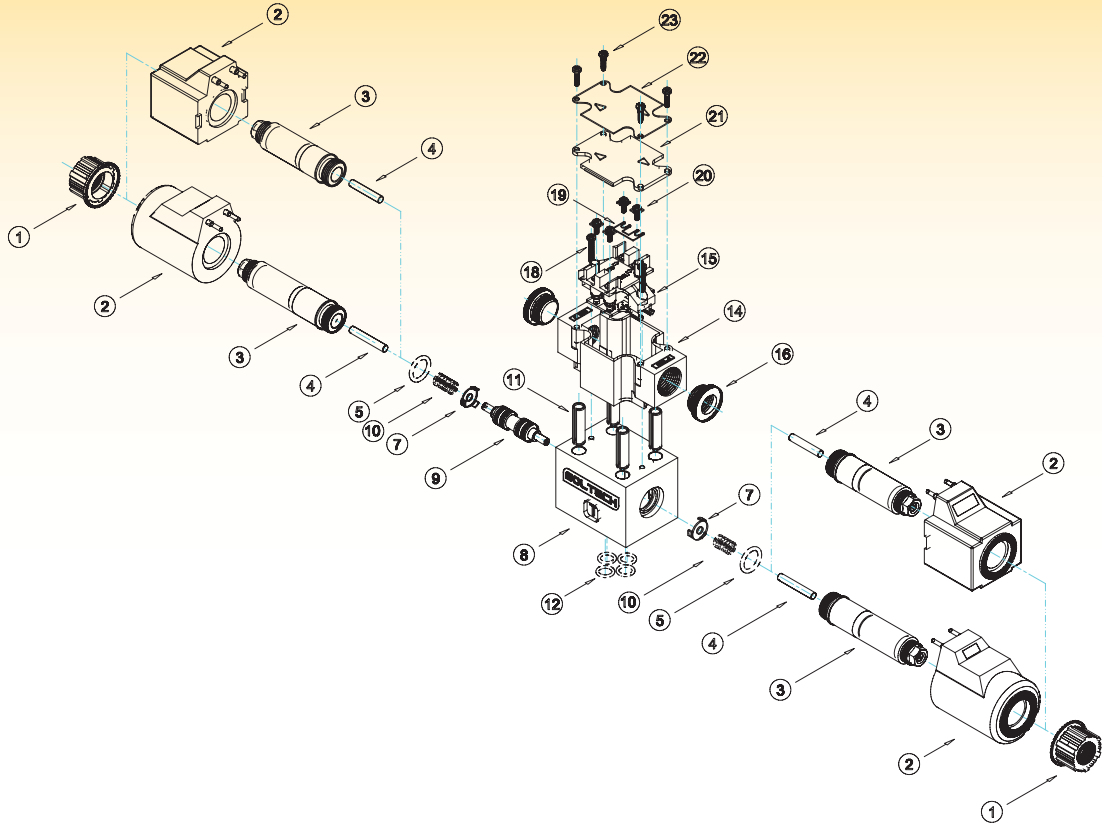


SWG-(H)-02-2B2-AC(DC)-(S)-N ASSEMBLY (PARTS LIST SEE PAGE 23)

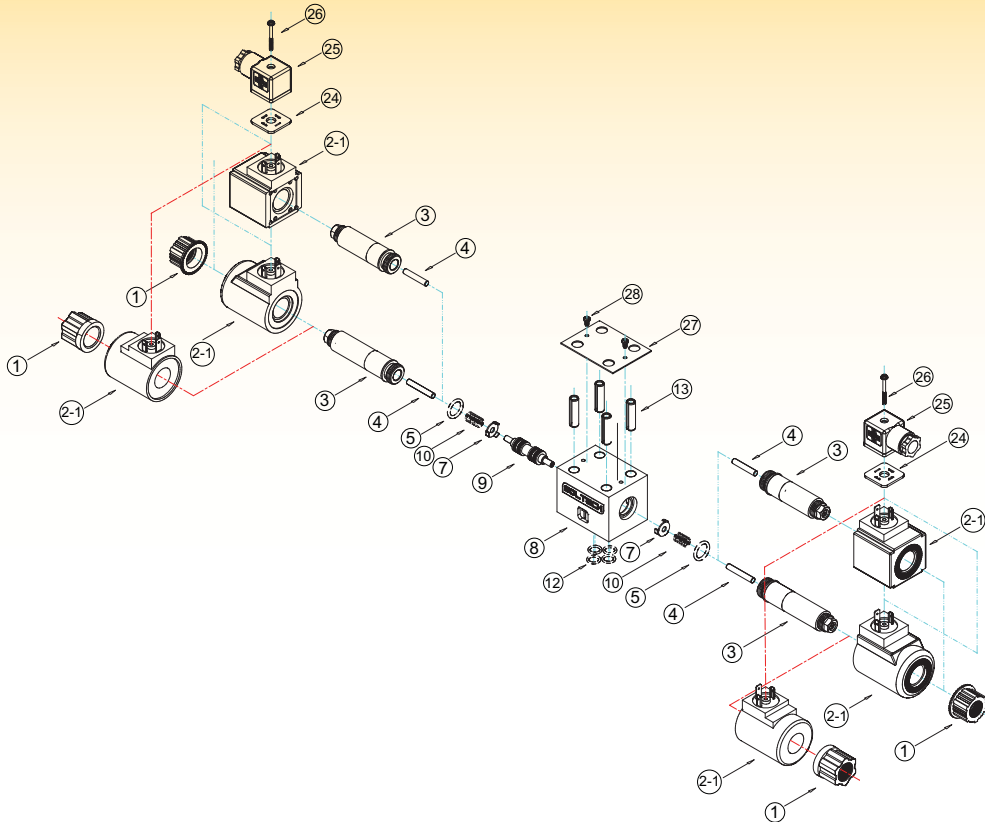


A

SWG-(H)-02-3C2-AC(DC) ASSEMBLY (PARTS LIST SEE PAGE 23)

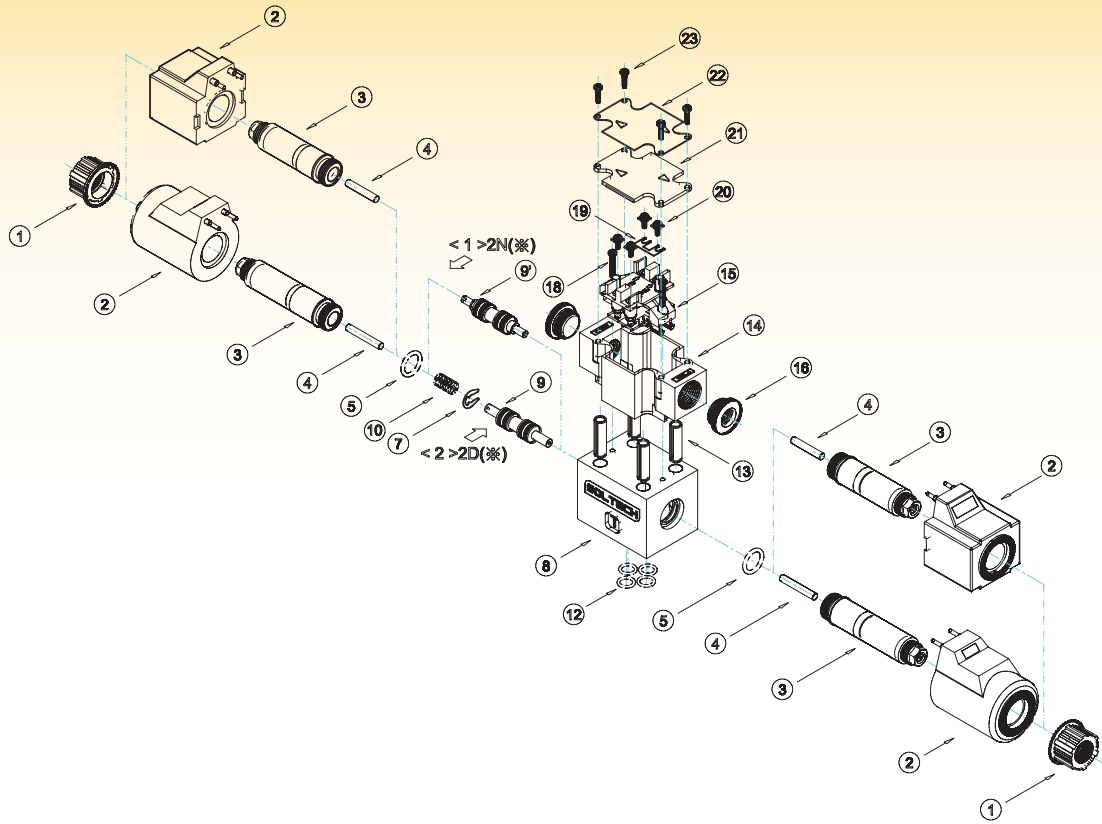


SWG-(H)-02-3C2-AC(DC)-(S)-N ASSEMBLY (PARTS LIST SEE PAGE 23)

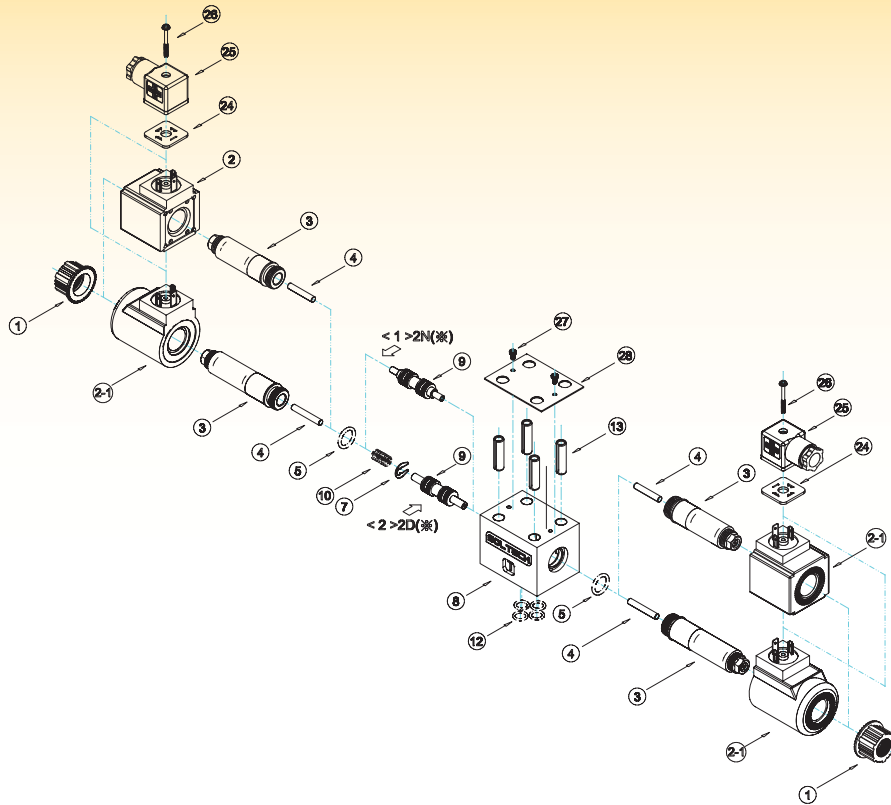


A

SWG-(H)-02-2D2(2N2)-AC(DC) ASSEMBLY (PARTS LIST SEE PAGE 23)

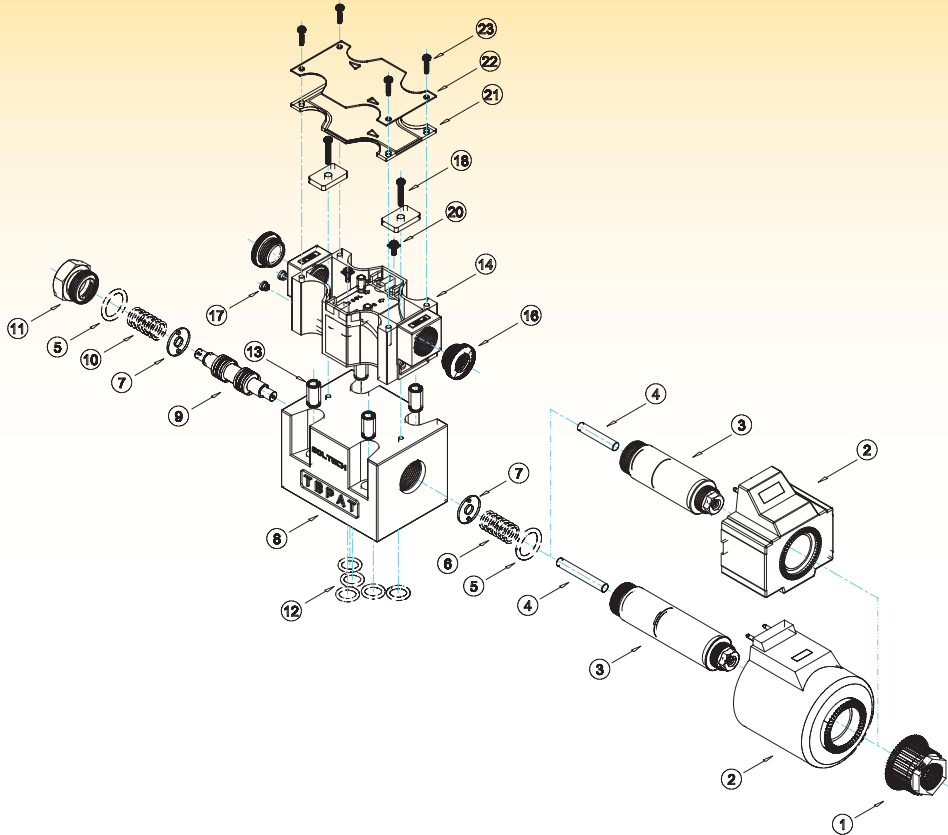


SWG-(H)-02-2D2(2N2)-AC(DC)-N ASSEMBLY (PARTS LIST SEE PAGE 23)

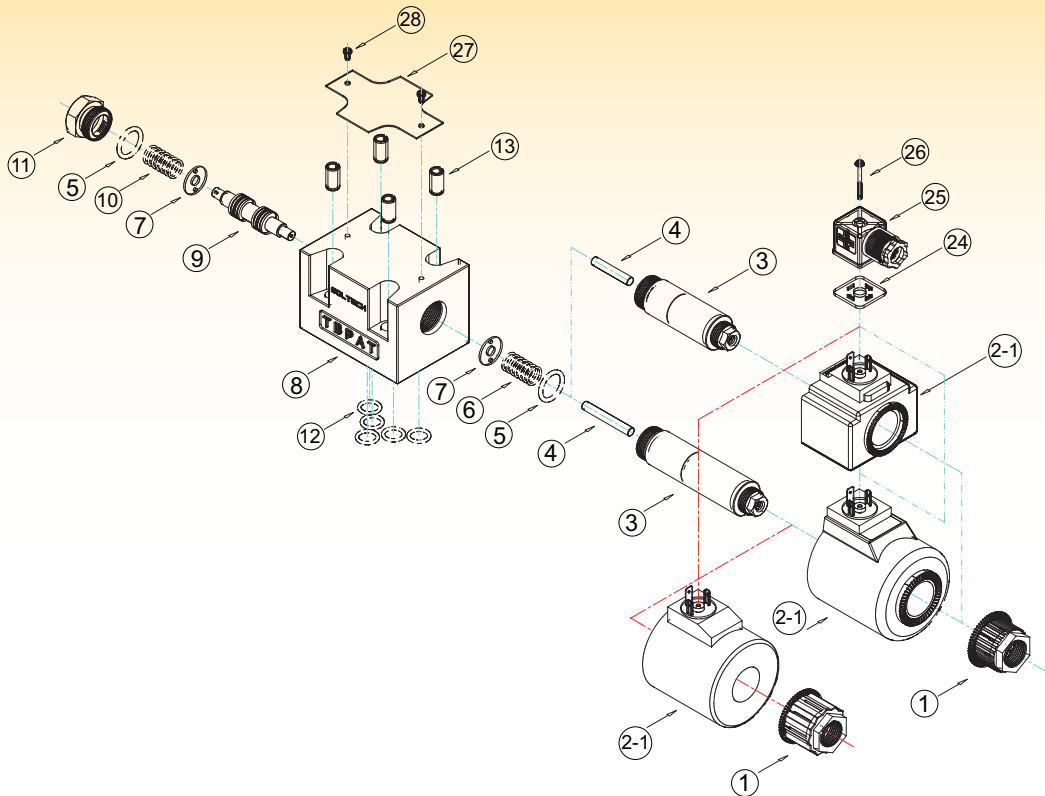


A

SWG-03-2B2-AC(DC) ASSEMBLY (PARTS LIST SEE PAGE 23)

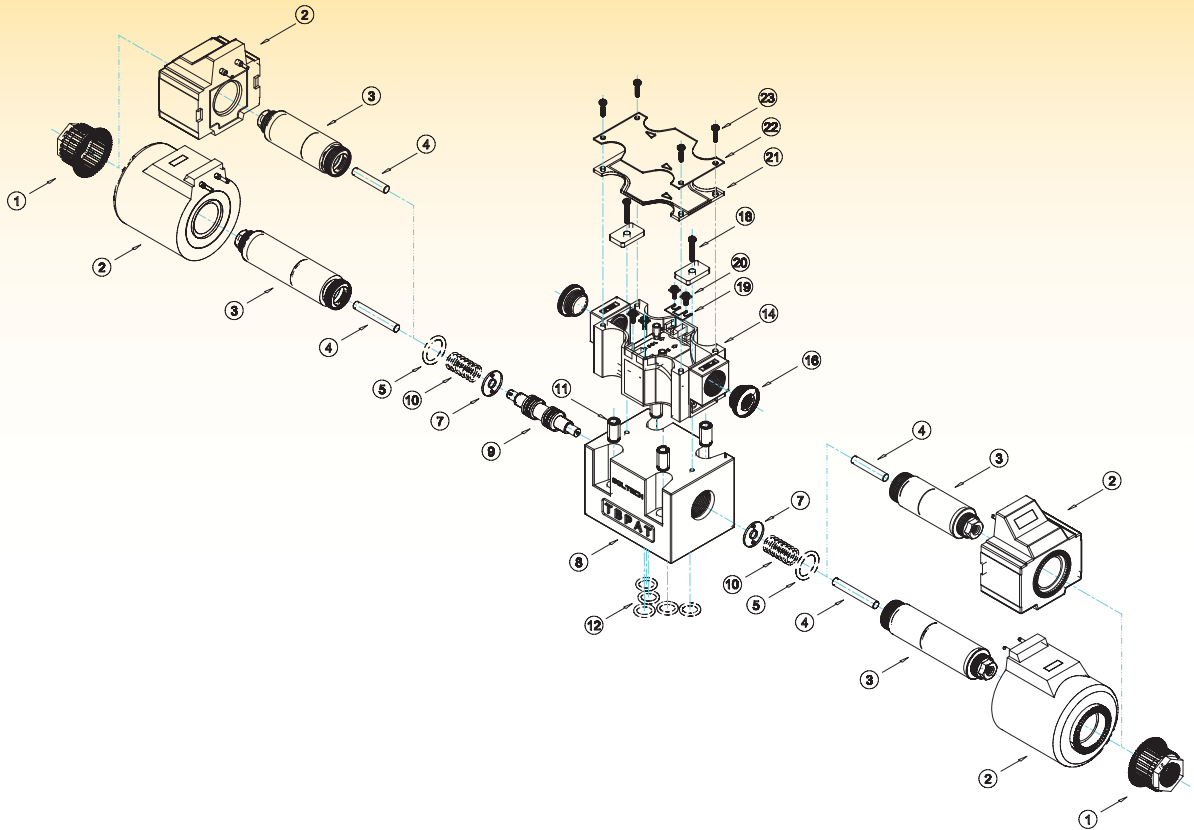


SWG-03-2B2-AC(DC)-(S)-N ASSEMBLY (PARTS LIST SEE PAGE 23)

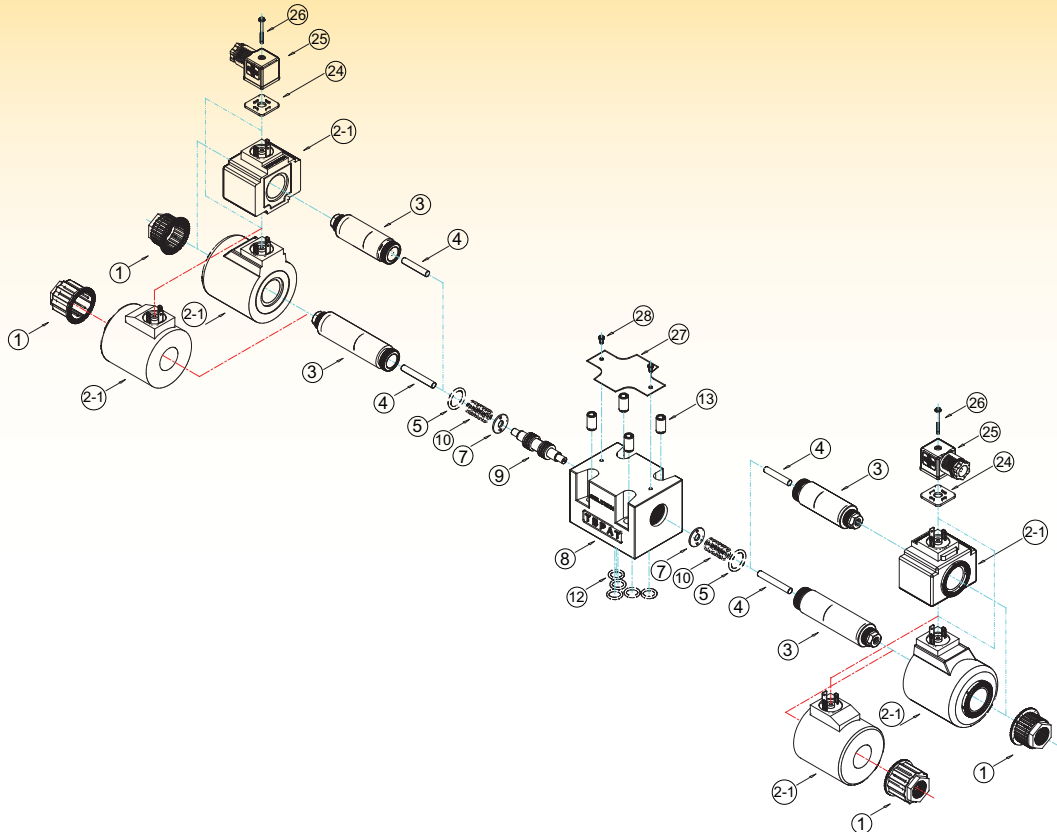


A

SWG-03-3C2-AC(DC) ASSEMBLY (PARTS LIST SEE PAGE 23)

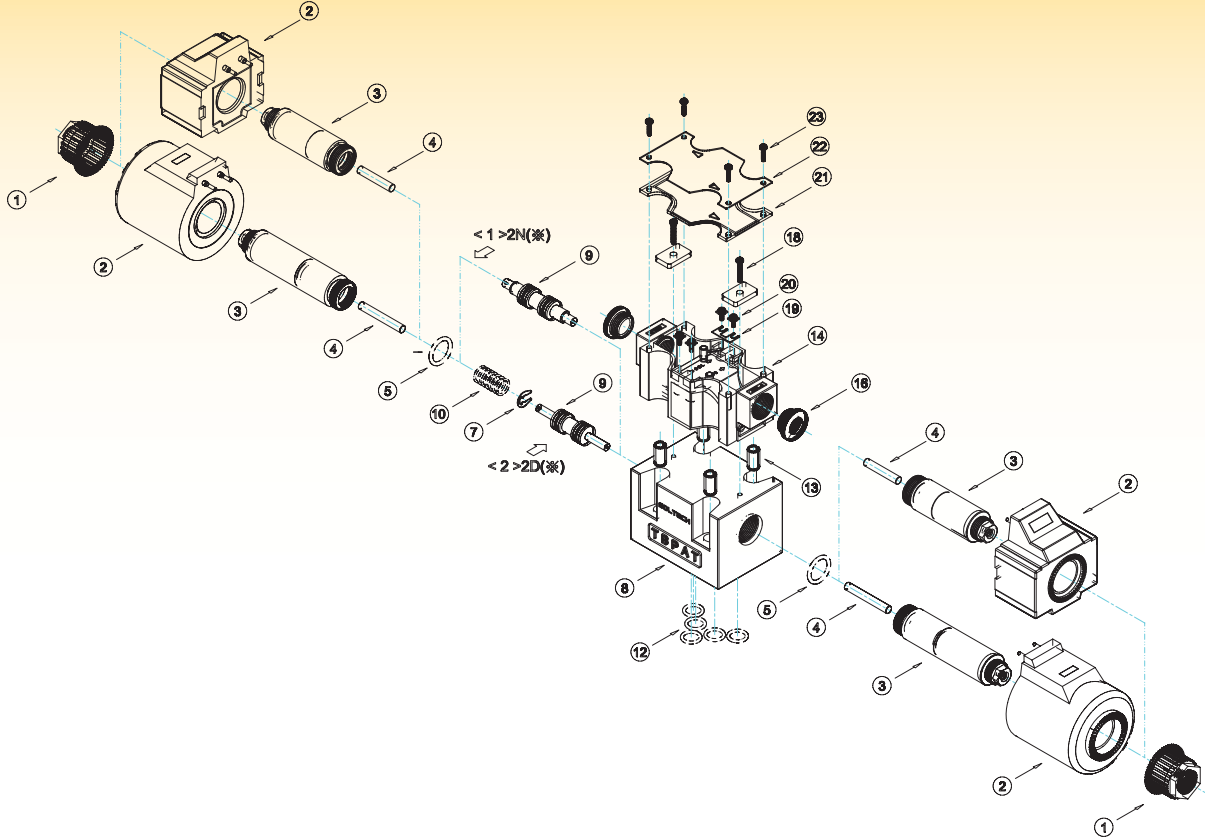


SWG-03-3C2-AC(DC)-(S)-N ASSEMBLY (PARTS LIST SEE PAGE 23)

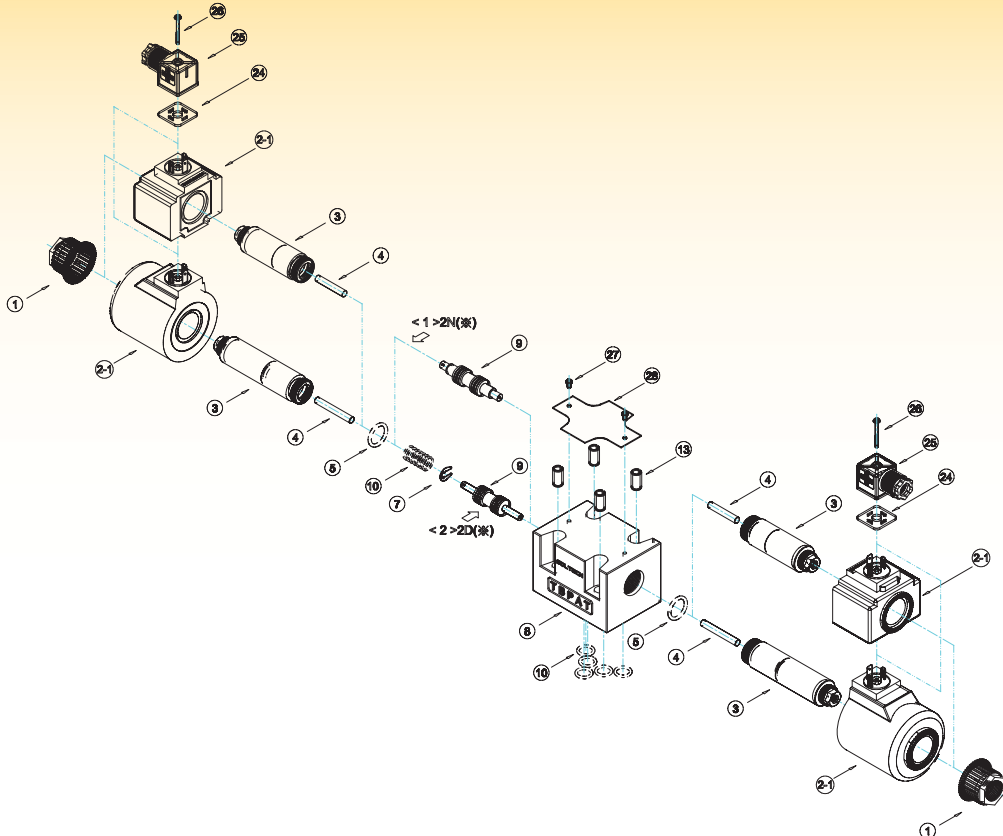


A

SWG-03-2D2(2N2)-AC(DC) ASSEMBLY (PARTS LIST SEE PAGE 23)



SWG-03-2D2(2N2)-AC(DC)-N ASSEMBLY (PARTS LIST SEE PAGE 23)



【 PARTS LIST OF "SWG" SERIES 】

NO.	PART NAME	SWG-02-AC	QTY.	SWG-02-DC-(S)	QTY.	SWG-03-AC	QTY.	SWG-03-DC-(S)	QTY.
1	Lock Nut	05080102	1~2	05080102(S)	1~2	05080101	1~2	05080101(S)	1~2
3	Tube	05072901	1~2	05072903	1~2	05072904	1~2	05072905	1~2
4	Push Pin	06011701	1~2	05071409	1~2	05071408	1~2	05071407	1~2
5	O Ring-AS113	05072601	1~2	05072601	1~2	05072605	1~2	05072605	1~2
6	Spring for Single Sol.	05081004	0~1	05081004	0~1	05081003	0~1	05081003	0~1
7	Retainer	05071501	2	05071501	2	05071502	2	05071502	2
8	Body	05010701	1	05010701	1	05010801	1	05010801	1
9	Spool	See page 3,4	1	See page 3,4	1	See page 3,4	1	See page 3,4	1
10	Spring for Double Sol.	05080103	1~2	05080103	1~2	05081002	1~2	05081002	1~2
11	Back Cover	05072001	0~1	05072001	0~1	05071903	0~1	05071903	0~1
12	O Ring	05072603	4	05072603	4	05072604	4	05072604	4
13	Pin	05071503	4	05071503	4	05071504	4	05071504	4

A

TERMINAL BOX TYPE

NO.	PART NAME	SWG-02-AC	QTY.	SWG-02-DC	QTY.	SWG-03-AC	QTY.	SWG-03-DC	QTY.
2	Coil	05080403	1~2	05081108	1~2	05081107	1~2	05080404	1~2
14	Terminal Box	05100608	1	05100608	1	05100705	1	05100705	1
15	Terminal Base	06012003	1	06012003	1	----	1	----	1
16	Gland Nut	05081001	2	05081001	2	05081001	2	05081001	2
17	Plastic Cover for	05072909	0~2	05072909	0~2	05072909	0~2	05072909	0~2
18	Fixing Screw-M3.5x19	06011801	2	06011801	2	06011801	2	06011801	2
19	Cooper	04050801	0~1	04050801	0~1	04050801	0~1	04050801	0~1
20	Fixing Screw-M3x8	06012502	2	06012502	2	06012502	2	06012502	2
21	Plastic Cover	05100701	1	05100701	1	05100708	1	05100708	1
22	NamePlate	06021605	1	06021605	1	06021607	1	06021607	1
23	Fixing Screw	06012004	2	06012004	2	06012004	2	06012004	2

DIN CONNECTOR TYPE "DIN 46350"

NO.	PART NAME	SWG-02-AC	QTY.	SWG-02-DC-(S)	QTY.	SWG-03-AC	QTY.	SWG-03-DC-(S)	QTY.
2-1	Coil	05081107	1~2	05080404(S)	1~2	05040801	1~2	05080505(S)	1~2
24	Gasket	06021603	1~2	06021603	1~2	06021603	1~2	06021603	1~2
25	Housing	06021601	1~2	06021602	1~2	06021601	1~2	06021602	1~2
26	Fixing Screw	06021604	1~2	06021604	1~2	06021604	1~2	06021604	1~2
27	Fixing Screw-M3.5x6	05100501	2	05100501	2	05100501	2	05100501	2
28	Nameplate	06021606	1	06021606	1	06021608	1	06021608	1

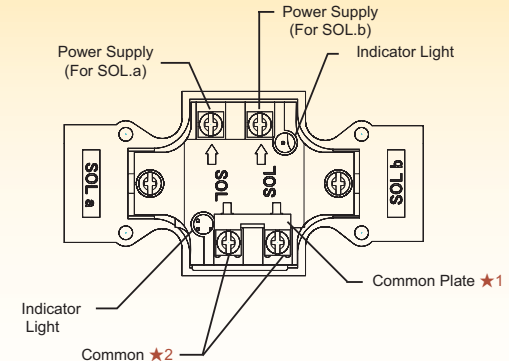
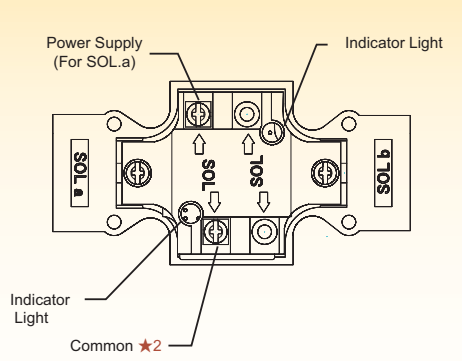
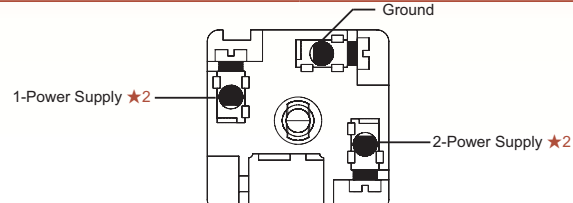
LEAD WIRE TYPE: "SWP CONNECTOR OR DT-04-2P CONNECTOR"

NO.	PART NAME	SWG-02-AC	QTY.	SWG-02-DC	QTY.	SWG-03-AC	QTY.	SWG-03-DC	QTY.
2-2	Coil	06021609	1~2	06021610	1~2	06021611	1~2	06021612	1~2
29	SWP Connector	06021613	1~2	06021613	1~2	06021613	1~2	06021613	1~2
30	DT04-2P Connector	06021614	1~2	06021614	1~2	06021614	1~2	06021614	1~2

- The value of "1~2" in the "QTY.", means that if the valve is single solenoid, it needs "1" unit, if the valve is double solenoid, it needs "2" units.
- The value of "06021614" in the "SWG-02-AC", means the part No. and CAD No., if you need the CAD file, please contact with SOLTECH.
- The spool type includes "2B2, 2B3, 3C2, 3C3...", please see the page 3 and 4.
- The coil include Alternate Current: AC 110V/50HZ, 220V/50HZ, 240V/50HZ or Direct Current: DC 12V, 24V...
- As for DIN CONNECTOR TYPE, the part No. of Coil(2-1) for SWG-02-DC is 05080404; for SWG-02-DC-S is 05080404S respectively.

A

LEAD WIRE CONNECTION AND DETAILS OF RECEPTACLE-"SWG-02 SERIES"

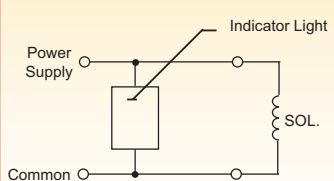
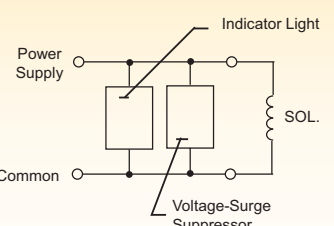
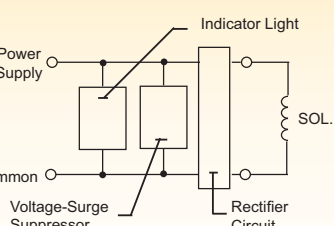
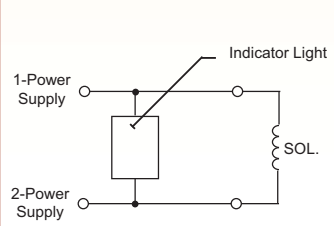
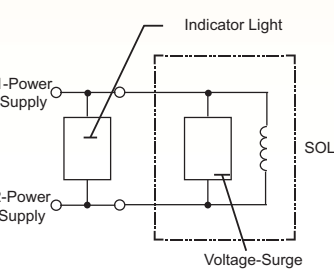
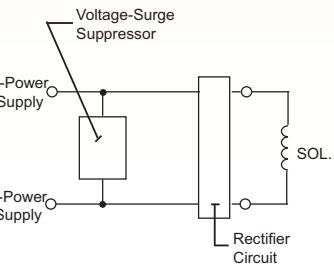
Type of Electrical Conduit Connection	Double Solenoid Type	Single Solenoid Type
Terminal Box Type		
Plug-in Connector Type		

- ★1. If you do not need the common plate, remove it.
- ★2. With DC solenoids, polarity is no question.

! DANGER !

- Do not perform wiring while the power is on. Doing so may result in electric shock, burns or death.
- Make the wiring properly. Improper wiring will cause an irregular movement of the machine, resulting in a grave accident.

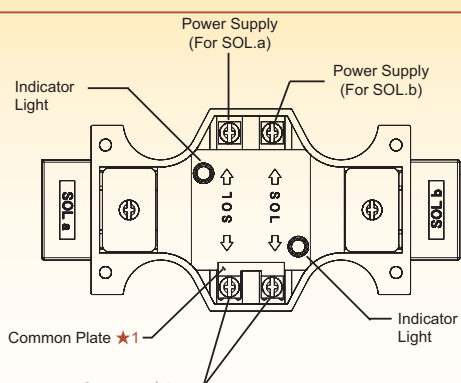
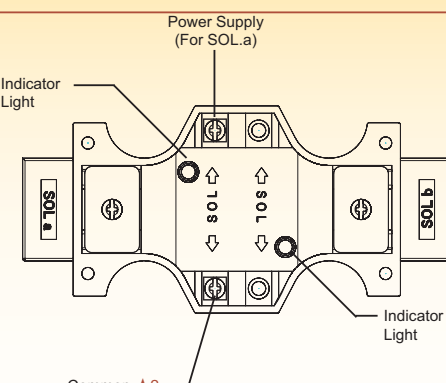
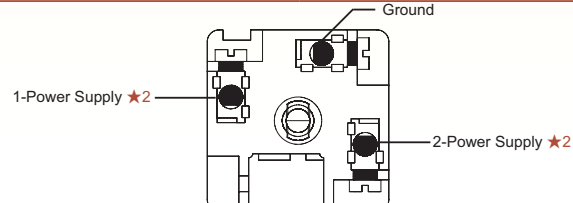
ELECTRICAL CIRCUIT

Type of Electrical Conduit Connection	Electric Source		
	AC	DC	AC→DC Rectified
Terminal Box Type			
Plug-in Connector Type			

- Voltage-Surge Suppressor(Circuit composed in coil) is not added in standard design. if need please consult SOLTECH.

A

LEAD WIRE CONNECTION AND DETAILS OF RECEPTACLE-"SWG-03 SERIES"

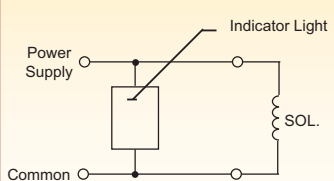
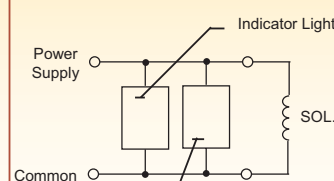
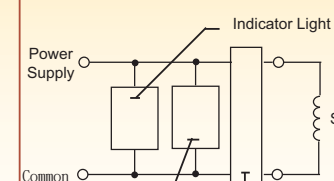
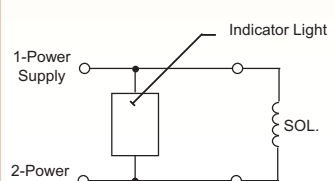
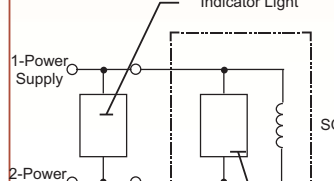
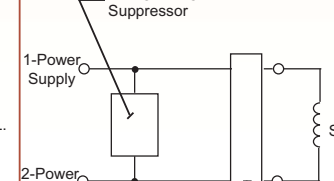
Type of Electrical Conduit Connection	Double Solenoid Type	Single Solenoid Type
Terminal Box Type		
Plug-in Connector Type		

- ★1. If you do not need the common plate, remove it.
- ★2. With DC solenoids, polarity is no question.

! DANGER !

- Do not perform wiring while the power is on. Doing so may result in electric shock, burns or death.
- Make the wiring properly. Improper wiring will cause an irregular movement of the machine, resulting in a grave accident.

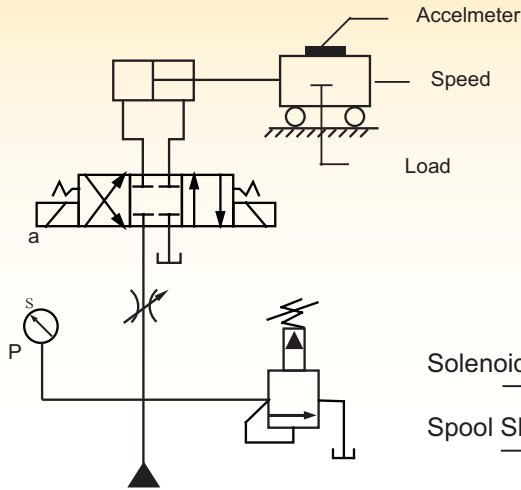
ELECTRICAL CIRCUIT

Type of Electrical Conduit Connection	Electric Source		
	AC	DC	AC→DC Rectified
Terminal Box Type			
Plug-in Connector Type			

- Voltage-Surge Suppressor(Circuit composed in coil) is not added in standard design. if need please consult SOLTECH.

【CHANGEOVER TIME】

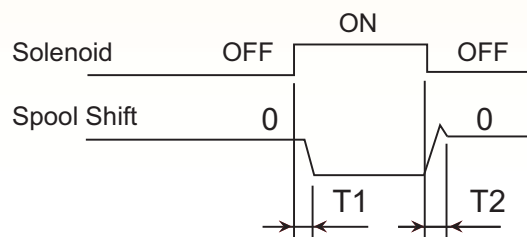
● Test Circuit and Conditions



● Test Conditions

Pressure: 16MPa(163 kgf/cm²)
 Flow: 31.5 L/min
 Viscosity: 35mm²/s{cst}
 Voltage: 100% of rated voltage (After the coil temperature raises and saturated)

● Result of Measurement



Type	Model No.	Time(ms)		Type	Model No.	Time(ms)	
		T1	T2			T1	T2
AC	SWG-(H)-02-3C2-A※-(※)	12	5	AC	SWG-(H)-03-3C2-A※-(※)	29	25
DC	SWG-(H)-02-3C2-D※-(※)	51	22	DC	SWG-(H)-03-3C2-D※-(※)	100	37
RF	SWG-(H)-02-3C2-R※-(※)	57	104	RF	SWG-(H)-03-3C2-R※-(※)	100	204

【INSTRUCTIONS】

※ MOUNTING : No-spring detented models not energized continuously must be installed so that the spool axis will be horizontal. Other models are not restricted to mounting horizontally.

※ ENERGIZATION : On double solenoid valves, do not energize both solenoids at the same time. Solenoid burn-out may occur.

※ VALVE TANK PORT : Avoid connection of the valve tank port to a line where surge pressure is likely to occur. Pipe end of tank line should be submerged in oil.

※ HYDRAULIC FLUID :

◎ Type of Fluid

- ★ Petroleum based fluids: Equivalent to ISO VG32 or 46.
- ★ Synthetic fluids: Phosphate ester or Polyol ester type.
- ★ Water Containing Fluids: Water-glycol fluids or W/O emulsion type.

◎ Recommended Viscosity and Temperature

- ★ Always be sure to use hydraulic fluids within the stipulated conditions as follows:
 Oil Temperature: 5 to 160 degrees F
 Viscosity: 77 to 1800 SSU

◎ Control of Contamination

- ★ Due caution must be used to maintain control over contamination of hydraulic fluids which may otherwise lead to breakdown and shorter valve life.
- ★ Please maintain the degrees of contamination between NAS 1638-Grade 12, Use 9.8 x 10 inch or filter line filter.

A